

DRILL CHUCKS

EDITION 8.1





Table of contents



DRILL CHUCKS

Quick-action drill chucks industry

| | |
|------------|------|
| SPIRO-I | 1006 |
| SPIRO-SK | 1007 |
| SUPRA-I | 1008 |
| SUPRA-S | 1009 |
| SUPRA-SK | 1010 |
| SUPRA-SK E | 1011 |

Quick-action drill chucks

| | |
|------------|------|
| EXTRA50-RV | 1014 |
| EXTRA80-RV | 1016 |

Key-type drill chucks

| | |
|------------------------|------|
| PRIMA-I / -M / -S / -L | 1020 |
| Drill chuck keys BFS | 1023 |

Two-jaw tapping chucks

| | |
|--------------------|------|
| Tapping chucks GSF | 1024 |
|--------------------|------|

Accessories

| | |
|--------------------------------|------|
| Taper shank arbors KD | 1025 |
| Reducing sleeves RH | 1026 |
| Extensions sleeves VLH | 1027 |
| Drill and reamer extensions BV | 1028 |

Operation guide



| TYPE | SPIRO-I | SPIRO-SK | SUPRA-I | SUPRA-S | SUPRA-SK | SUPRA-SKE |
|-----------------------------------|-------------------------------------|-------------------------------------|---|---|-------------------------------------|-------------------------------------|
| Features | Self-tightening, flat jaws | | | | | |
| Clamping capacity | 0 - 16 mm | 0 - 13 mm | 0 - 16 mm | 0,5 - 16 mm | 0,5 - 13 mm | 1,5 - 13 mm |
| Mount | B 10/12/ 16/18 J 6 | B 16 | B 10/12/ 16/18 J 0/1/2/6/33 1/2"-20 3/8"-24 | B 12/16/18 1/2"-20 3/8"-24 5/8"-16 | B 12/16 1/2"-20 3/8"-24 | 1/2"-20 |
| Application | | | | | | |
| Counterclockwise rotation | | | | | | |
| For machines without spindle stop | <input checked="" type="checkbox"/> | <input checked="" type="checkbox"/> | <input checked="" type="checkbox"/> | <input checked="" type="checkbox"/> | <input checked="" type="checkbox"/> | <input checked="" type="checkbox"/> |
| Radial locking | | <input checked="" type="checkbox"/> | | | <input checked="" type="checkbox"/> | <input checked="" type="checkbox"/> |
| Impact resistant | | | | | | |
| Sleeve | M | M | M | M | M | M |
| Automatic retightening | <input checked="" type="checkbox"/> | <input checked="" type="checkbox"/> | <input checked="" type="checkbox"/> | <input checked="" type="checkbox"/> | <input checked="" type="checkbox"/> | <input checked="" type="checkbox"/> |
| Page | 1006 | 1008 | 1008 | 1009 | 1010 | 1011 |



yes



metal



machining centers



corded drills



optional



plastic



stationary drills



cordless drills

Operation guide



| TYPE | EXTRA50-RV | EXTRA80-RV | PRIMA-I | PRIMA-M / -S / -L |
|--|-------------------------|--|---|--|
| Features | Keyless, radial locking | | Key-type | |
| Clamping capacity | 1,5 - 13 mm | 1 - 13 mm | 0,5 - 26 mm | 0,5 - 16 mm |
| Mount | 1/2"-20 9/16"-18 | 1/2"-20 3/8"-24 9/16"-18 SDS plus 1/4" Hex | B 12/16/ 18/22/24 J 1/2/3/6/33 5/8"-16 | B 10/12/16/18 1/2"-20 3/8"-24 5/8"-16 SDS plus 1/4" Hex |
| Application | | | | |
| Counterclockwise rotation | | | | |
| For machines without spindle stop | | | | |
| Radial locking | | | | |
| Impact resistant | | | | |
| Sleeve | M | M F | M | M |
| Automatic retightening | | | | |
| Page | 1014 | 1016 | 1020 | 1020 |



percussion drilling



1/4" hexagonal mount



clockwise / counter-clockwise rotation



SDS plus mount



SELF-TIGHTENING

The absolute highlight of the SPIRO and SUPRA drill chucks is the automatic retightening. This function increases the clamping force proportional to the cutting force of the tool during drilling operation. This prevents the drill bit from slipping, even at extreme loads.



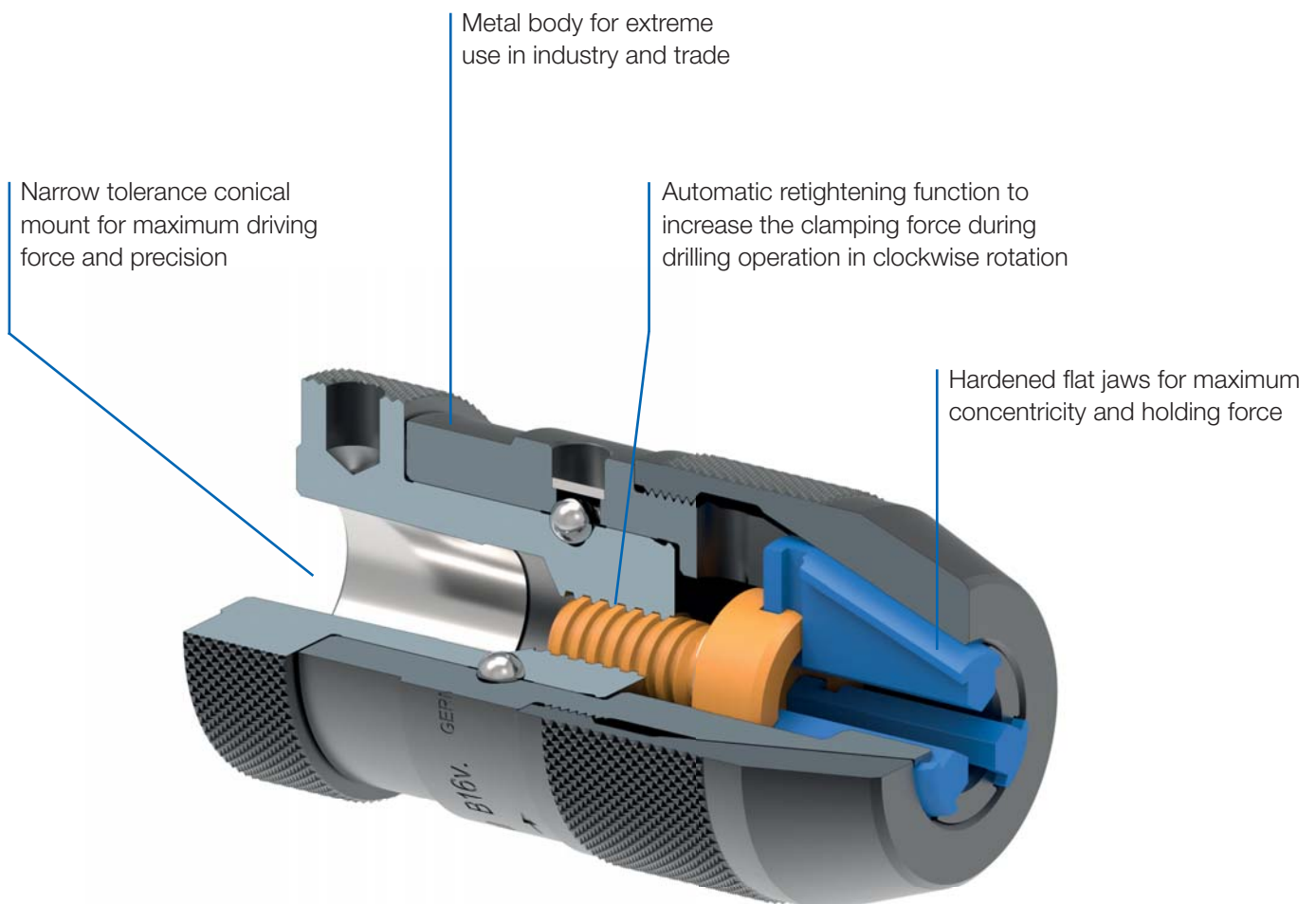
Video drill chuck

QUICK-ACTION DRILL CHUCKS INDUSTRY

The high concentricity and the automatic retightening in clockwise rotation are the decisive factors for these drill chucks. Due to the high precision of all individual parts a run-out accuracy of up to 0.05 mm is guaranteed depending on the design.

ADVANTAGES AT A GLANCE

- ⊕ Increase in the clamping force proportional to the cutting force by the automatic retightening function
- ⊕ Precise concentricity of up to 0.05 mm
- ⊕ Long lifetime due to hardened functional parts



SPIRO-I



APPLICATION

Especially suitable on machining centers, stationary drills and drilling machines with high precision requirements.

TYPE

Self-tightening flat jaw drill chuck.
Industrial design with maximum precision.

CUSTOMER BENEFITS

- ③ Precise concentricity of up to 0.05 mm
- ③ Increase in the clamping force proportional to the cutting force by the automatic retightening function
- ③ Conical mount for maximum driving force and precision

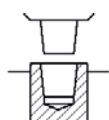
TECHNICAL FEATURES

- Strong retaining ring
- All components made from steel
- Hardened and ground
- Only suitable for clockwise rotation



A03

SPIRO-I for machining centers, stationary drills and drilling machines



| Item no. | Size | Type | Clamping capacity mm | Mount | Concentricity deviation max. mm | External Ø mm | Length opened mm | Length closed mm | Weight g |
|-------------------------------------|------|------|----------------------|-------|---------------------------------|---------------|------------------|------------------|----------|
| 871003 | 6 | I | 0-6,5 | B 10 | 0,05 | 35 | 62,5 | 68,6 | 315 |
| 871004 | 6 | I | 0-6,5 | B 12 | 0,05 | 35 | 62,5 | 68,6 | 310 |
| 871008 | 10 | I | 0-10 | B 12 | 0,05 | 43 | 82,5 | 90,1 | 665 |
| 871009 | 10 | I | 0-10 | B 16 | 0,05 | 43 | 82,5 | 90,1 | 650 |
| 871012 | 13 | I | 1-13 | B 16 | 0,05 | 50 | 94 | 102,5 | 995 |
| 871016 | 16 | I | 3-16 | B 16 | 0,05 | 55 | 96,5 | 106,8 | 1260 |
| 871017¹⁾ | 16 | I | 3-16 | B 18 | 0,05 | 55 | 96,5 | 106,8 | 1250 |

¹⁾ Shortened: B18 by 7 mm

SPIRO-SK



APPLICATION

Especially suitable on machining centers, stationary drills and drilling machines with high precision requirements.

TYPE

Self-tightening flat jaw drill chuck with metal sleeve and clamping force safety device. Industrial design with maximum precision.

CUSTOMER BENEFITS

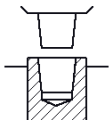
- ⊕ Precise concentricity of up to 0.07 mm over the whole clamping range
- ⊕ Increase in the clamping force proportional to the cutting force by automatic retightening function and no releasing in counterclockwise rotation
- ⊕ Conical mount for maximum driving force and precision

TECHNICAL FEATURES

- The locking of the pawl prevents the unintentional release in counterclockwise rotation up to a turning moment of 15 Nm
- All functional parts are hardened and ground



A03
SPIRO-SK for machining centers, stationary drills and drilling machines



| Item no. | Size | Type | Clamping capacity mm | Mount | Concentricity deviation max. mm | External Ø mm | Length opened mm | Length closed mm | Weight g |
|----------------------|------|------|----------------------|-------|---------------------------------|---------------|------------------|------------------|----------|
| 871070 | 10 | I | 0-10 | B 16 | 0,07 | 43 | 81,5 | 89,1 | 670 |
| 871071 ¹⁾ | 13 | S | 1-13 | B 16 | 0,07 | 43 | 85 | 93,1 | 1050 |

¹⁾ Shortened: B16 by 2.5 mm

SUPRA-I



APPLICATION

Especially suitable on stationary drills and hand-operated drills.

TYPE

Self-tightening flat jaw drill chuck.
Industrial design with maximum precision.

CUSTOMER BENEFITS

- ③ Precise concentricity of up to 0.12 mm
- ③ Increase in the clamping force proportional to the cutting force by the automatic retightening function
- ③ Easy and quick clamping of tools for maximum user-friendliness

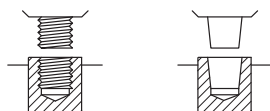
TECHNICAL FEATURES

- Strong retaining ring
- All components made from steel
- Hardened and superfinished
- Only suitable for clockwise rotation



A02

SUPRA-I heavy industrial design for stationary drills and hand-operated drills



| Item no. | Size | Type | Clamping capacity mm | Mount | Concentricity deviation max. mm | External Ø mm | Length opened mm | Length closed mm | Weight g |
|-------------------------------------|------|------|----------------------|---------|---------------------------------|---------------|------------------|------------------|----------|
| 871020 | 4 | I | 0-4 | J0 | 0,12 | 26 | 46,5 | 51,5 | 130 |
| 871019 | 4 | I | 0-4 | B10 | 0,12 | 26 | 45,5 | 50,8 | 137 |
| 871025 | 6 | I | 0-6,5 | 3/8"-24 | 0,2 | 32 | 59,5 | 65,6 | 301 |
| 871024 | 6 | I | 0-6,5 | J1 | 0,12 | 32 | 59,5 | 65,6 | 275 |
| 871022 | 6 | I | 0-6,5 | B10 | 0,12 | 32 | 59,5 | 65,6 | 280 |
| 871023 | 6 | I | 0-6,5 | B12 | 0,12 | 32 | 59,5 | 65,6 | 250 |
| 871032 | 8 | I | 0-8 | B12 | 0,12 | 35,8 | 67 | 73,4 | 345 |
| 871040 | 10 | I | 0-10 | B12 | 0,12 | 40,2 | 79,5 | 86,1 | 578 |
| 871041 | 10 | I | 0-10 | B16 | 0,12 | 40,2 | 82,5 | 89,1 | 624 |
| 871052 | 13 | I | 1-13 | J2 | 0,12 | 46 | 91 | 99,5 | 900 |
| 871054 | 13 | I | 1-13 | J6 | 0,12 | 46 | 94 | 102,5 | 870 |
| 871051 | 13 | I | 1-13 | B16 | 0,12 | 46 | 93 | 101,5 | 915 |
| 871053 | 13 | I | 1-13 | J33 | 0,12 | 46 | 94 | 102,5 | 948 |
| 871066 | 16 | I | 3-16 | J6 | 0,12 | 51 | 96,5 | 106,8 | 1120 |
| 871064 | 16 | I | 3-16 | B16 | 0,12 | 51 | 96,5 | 106,8 | 1161 |
| 871065¹⁾ | 16 | I | 3-16 | B18 | 0,12 | 51 | 96,5 | 106,8 | 1115 |

¹⁾ Shortened: B18 by 7 mm

SUPRA-S



APPLICATION

Suitable for stationary drills and hand-operated drills.

TYPE

Self-tightening flat jaw drill chuck.

CUSTOMER BENEFITS

- ⊕ Concentricity of up to 0.17 mm
- ⊕ Increase in the clamping force proportional to the cutting force by the automatic retightening function
- ⊕ Easy and quick clamping of tools for maximum user-friendliness

TECHNICAL FEATURES

- Strong retaining ring
- All components made from steel
- Hardened and superfinished
- Only suitable for clockwise rotation



A02

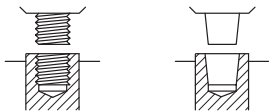
SUPRA-S light design mainly for stationary drills and hand-operated drills



| Item no. | Size | Type | Clamping capacity mm | Mount | Concentricity deviation max. mm | External Ø mm | Length opened mm | Length closed mm | Weight g |
|-------------------------------------|------|------|----------------------|---------|---------------------------------|---------------|------------------|------------------|----------|
| 871029 | 8 | S | 0-8 | 3/8"-24 | 0,25 | 32 | 61,5 | 67,6 | 285 |
| 871038 | 10 | S | 0,5-10 | 3/8"-24 | 0,25 | 35,8 | 66 | 73,7 | 370 |
| 871039 | 10 | S | 0,5-10 | 1/2"-20 | 0,25 | 35,8 | 66 | 73,7 | 377 |
| 871049 | 13 | S | 1-13 | 3/8"-24 | 0,25 | 40,2 | 76,3 | 83,6 | 610 |
| 871050 | 13 | S | 1-13 | 1/2"-20 | 0,25 | 40,2 | 76,3 | 83,6 | 548 |
| 871046 | 13 | S | 1-13 | B12 | 0,17 | 40,2 | 78,8 | 86,1 | 593 |
| 871047¹⁾ | 13 | S | 1-13 | B16 | 0,17 | 40,2 | 82,3 | 89,6 | 581 |
| 871062 | 16 | S | 3-16 | 1/2"-20 | 0,25 | 46 | 87,5 | 97,5 | 880 |
| 871063 | 16 | S | 3-16 | 5/8"-16 | 0,25 | 46 | 87,5 | 97,5 | 865 |
| 871057¹⁾ | 16 | S | 3-16 | B16 | 0,17 | 46 | 88,5 | 98,5 | 858 |
| 871058²⁾ | 16 | S | 3-16 | B18 | 0,17 | 46 | 92 | 102 | 875 |

¹⁾ Shortened: B16 by 2.5 mm

²⁾ Shortened: B18 by 7 mm



SUPRA-SK



APPLICATION

For extreme use on hand-operated percussion drills and drills up to 1300 watt with mounting thread or conical mount.

TYPE

Impact-resistant and self-tightening flat jaw drill chuck. Also suitable for counterclockwise rotation by radial locking.

CUSTOMER BENEFITS

- ③ Concentricity of up to 0.25 mm
- ③ Increase in the clamping force proportional to the cutting force by automatic retightening function and no releasing in counterclockwise rotation
- ③ Impact-resistant by radial locking for universal use

TECHNICAL FEATURES

- Strong retaining ring
- Hardened and superfinished
- Suitable for counterclockwise rotation up to maximal 15 Nm



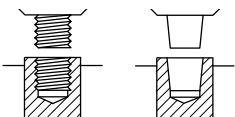
A02

SUPRA-SK for hand-operated percussion drills and drills



| Item no. | Size | Type | Clamping capacity mm | Mount | Concentricity deviation max. mm | External Ø mm | Length opened mm | Length closed mm | Weight g |
|-------------------------------------|------|------|----------------------|---------|---------------------------------|---------------|------------------|------------------|----------|
| 249910 | 10 | S | 0,5-10 | 3/8"-24 | 0,3 | 40 | 66 | 73,7 | 428 |
| 305188 | 10 | S | 0,5-10 | B 12 | 0,25 | 40 | 68 | 75,7 | 416 |
| 249804 | 13 | S | 1-13 | 1/2"-20 | 0,3 | 42,8 | 74,2 | 83,3 | 537 |
| 305221 | 13 | S | 1-13 | B 12 | 0,25 | 42,8 | 77 | 86,1 | 575 |
| 305203¹⁾ | 13 | S | 1-13 | B 16 | 0,25 | 42,8 | 80,2 | 89,3 | 585 |

¹⁾ Shortened: B16 by 2.5 mm



SUPRA-SK E



APPLICATION

Especially suited for hand-operated percussion drills, drills and cordless drills up to 70 Nm of torque.

TYPE

Impact-resistant and self-tightening flat jaw drill chuck. Also suitable for counterclockwise rotation by radial locking.

CUSTOMER BENEFITS

- ⊕ Concentricity of up to 0.35 mm
- ⊕ Increase in the clamping force proportional to the cutting force by automatic retighteningfunction and no releasing in counterclockwise rotation
- ⊕ Impact-resistant by radial locking for universal use

TECHNICAL FEATURES

- Hardened and superfinished
- Suitable for counterclockwise rotation up to maximal 50 Nm



A02

SUPRA-SK E for hand-operated percussion drills and drills up to 1000 watt and cordless drills with up to 70 Nm of torque



| Item no. | Size | Type | Clamping capacity mm | Mount | Retaining ring | Concentricity deviation max. mm | External Ø mm | Length opened mm | Length closed mm | Weight g |
|-------------------------|------|------|----------------------|---------|----------------|---------------------------------|---------------|------------------|------------------|----------|
| 1193004 | 13 | E | 1,5-13 | 1/2"-20 | | 0,35 | 42,9 | 72,0 | 79,3 | 402 |
| 1193005 | 13 | E | 1,5-13 | 1/2"-20 | • | 0,35 | 42,5 | 72,0 | 79,3 | 390 |



MAXIMUM USER-FRIENDLINESS

The EXTRA-RV drill chucks impress with their user-friendliness. The drill chuck is tightened and locked with a single manual operation. The radial locking device prevents the unintentional release of the drill bit during clockwise and counterclockwise rotation and makes percussion drilling possible. Thus, these quick-action drill chucks are predestined for use on hand-operated drills.



Video drill chuck

QUICK-ACTION DRILL CHUCKS

Due to the weight-reduced design as well as the easy handling, the RÖHM EXTRA-RV drill chucks are optimally suited for use on hand-operated drills. In addition, the drill chucks are impact-resistant and can therefore be used universally.

ADVANTAGES AT A GLANCE

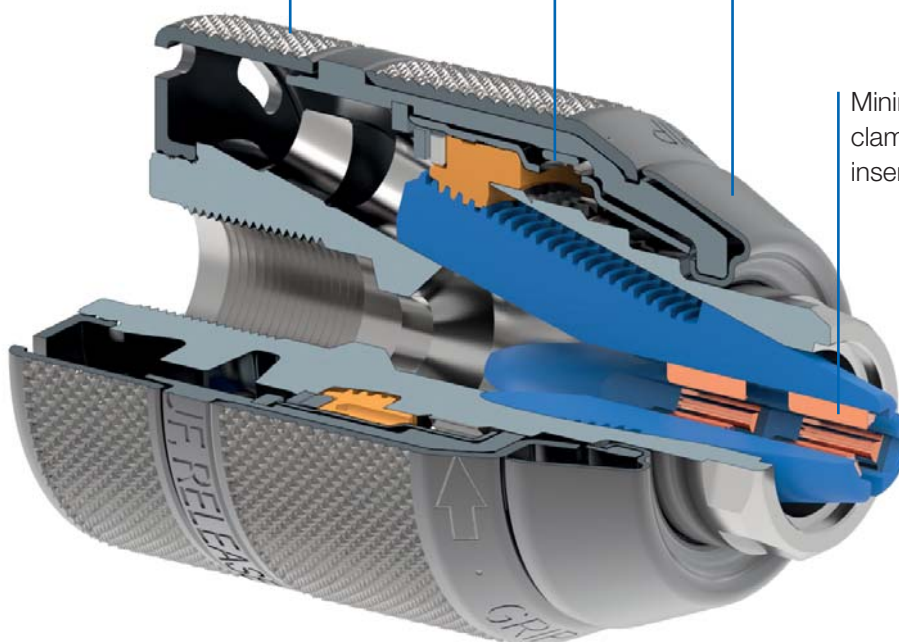
- ⊕ Easy clamping and locking with one hand operation for maximum user-friendliness
- ⊕ Radial locking device to prevent release of the drill bit during clockwise and counterclockwise rotation
- ⊕ Impact-resistant for universal use

Compact and weight-reduced design for optimal use on hand-operated drills

Radial locking device to prevent unintentional release of the drill bit during clockwise and counterclockwise rotation

Freely rotating protection disc to prevent damage

Minimal wear through clamping jaws with carbide inserts



EXTRA50-RV



APPLICATION

Drill chuck specially designed for cordless drills with spindle stop up to a maximum torque of 80 Nm.

TYPE

Impact-resistant quick-action drill chuck with radial locking and metal sleeve. With through-hole for use of a locking screw.

CUSTOMER BENEFITS

- ③ Very compact design reducing the top-heaviness of the entire cordless drill
- ③ Easy clamping and locking with one manual operation offering maximum user-friendliness
- ③ Radial locking device to prevent inadvertant release of the drill bit during clockwise and counterclockwise rotation. Impact resistant.

TECHNICAL FEATURES

- With carbide inserts in the clamping jaws
- Equipped with collision protector by freely rotating protection disc



A01

EXTRA50-RV with radial locking, metal design



| Item no. | Size | Clamping capacity mm | Mount | Retaining ring | Design | Concentricity deviation max. mm | External Ø mm | Length opened mm | Length closed mm | Max. torque Nm | Through-hole |
|-------------------------|------|----------------------|----------|----------------|---------------|---------------------------------|---------------|------------------|------------------|----------------|--------------|
| 1322450 | 13 | 1,5-13 | 9/16-18" | | Metall | 0,4 | 42,4 | 51 | 60,9 | 80 | • |
| 1322451 | 13 | 1,5-13 | 1/2"-20 | | Metall | 0,4 | 42,4 | 51 | 60,9 | 80 | • |

Note: locking screw is not included in scope of delivery



Notes

EXTRA80-RV



APPLICATION

For corded and cordless drills with and without spindle stop up to a maximum torque of 100 Nm and up to 1500 watt.

TYPE

Impact-resistant quick-action drill chuck with radial locking and plastic or metal sleeve.
Optional with retaining ring for machines without spindle stop.
With through-hole for use of a locking screw.

CUSTOMER BENEFITS

- ➊ Easy clamping and locking with one manual operation for maximum user-friendliness
- ➋ Radial locking device to prevent release of the drill bit during clockwise and counterclockwise rotation
- ➌ Impact-resistant for universal use

TECHNICAL FEATURES

- With carbide inserts in the clamping jaws
- Equipped with collision protector by freely rotating protection disc



A01
EXTRA80-RV with radial locking, metal design



| Item no. | Size | Clamping capacity mm | Mount | Retaining ring | Design | Concentricity deviation max. mm | External Ø mm | Length opened mm | Length closed mm | Max. mach. capacity watt | Through-hole |
|-------------------------|------|----------------------|----------|----------------|--------|---------------------------------|---------------|------------------|------------------|--------------------------|--------------|
| 1328321 | 10 | 1-10 | 3/8"-24 | | metal | 0,4 | 42,7 | 55 | 60,9 | 550 | • |
| 1328318 | 10 | 1-10 | 1/2"-20 | | metal | 0,4 | 42,7 | 55 | 60,9 | 550 | • |
| 1328317 | 10 | 1-10 | 1/2"-20 | • | metal | 0,4 | 42,7 | 55 | 60,9 | 550 | • |
| 1328314 | 13 | 1,5-13 | 3/8"-24 | • | metal | 0,4 | 42,7 | 64,5 | 72,4 | 1500 | • |
| 1328311 | 13 | 1,5-13 | 1/2"-20 | | metal | 0,4 | 42,7 | 64,5 | 72,4 | 1500 | • |
| 1328310 | 13 | 1,5-13 | 1/2"-20 | • | metal | 0,4 | 42,7 | 64,5 | 72,4 | 1500 | • |
| 1339960 | 13 | 1,5-13 | 9/16"-18 | | metal | 0,4 | 42,7 | 64,5 | 72,4 | 1500 | • |

Note: locking screw is not included in scope of delivery

A01
EXTRA80-RV with radial locking, plastic design



| Item no. | Size | Clamping capacity mm | Mount | Retaining ring | Design | Concentricity deviation max. mm | External Ø mm | Length opened mm | Length closed mm | Max. mach. capacity watt | Through-hole |
|-------------------------|------|----------------------|---------|----------------|---------|---------------------------------|---------------|------------------|------------------|--------------------------|--------------|
| 1328323 | 10 | 1-10 | 3/8"-24 | | plastic | 0,4 | 42,7 | 55 | 60,9 | 550 | • |
| 1328322 | 10 | 1-10 | 3/8"-24 | • | plastic | 0,4 | 42,7 | 55 | 60,9 | 550 | • |
| 1328320 | 10 | 1-10 | 1/2"-20 | | plastic | 0,4 | 42,7 | 55 | 60,9 | 550 | • |
| 1328319 | 10 | 1-10 | 1/2"-20 | • | plastic | 0,4 | 42,7 | 55 | 60,9 | 550 | • |
| 1328316 | 13 | 1,5-13 | 3/8"-24 | | plastic | 0,4 | 42,7 | 64,5 | 72,4 | 1300 | • |
| 1328315 | 13 | 1,5-13 | 3/8"-24 | • | plastic | 0,4 | 42,7 | 64,5 | 72,4 | 1300 | • |
| 1328313 | 13 | 1,5-13 | 1/2"-20 | | plastic | 0,4 | 42,7 | 64,5 | 72,4 | 1300 | • |
| 1328312 | 13 | 1,5-13 | 1/2"-20 | • | plastic | 0,4 | 42,7 | 64,5 | 72,4 | 1300 | • |

Note: locking screw is not included in scope of delivery

EXTRA80-RV

A01
EXTRA80-RV with SDS plus mounting shank and radial locking, metal design



| Item no. | Size | Clamping capacity mm | Mount | Retaining ring | Design | External Ø mm | Length opened without SDS-shank mm | Length closed without SDS-shank mm |
|-------------------------|------|----------------------|--------------------|----------------|--------|---------------|------------------------------------|------------------------------------|
| 1288566 | 13 | 1,5-13 | 1/2"-20 / SDS plus | • | metal | 42,7 | 64,5 | 72,4 |

Use only with deactivated percussion function



A01
EXTRA80-RV for impact screwdriver mounting 1/4" Hex, plastic design, specially suited for impact screwdrivers (eccentricity)



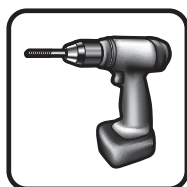
| Item no. | Size | Clamping capacity mm | Mount | Retaining ring | Design | External Ø mm | Length opened without SDS-shank mm | Length closed without SDS-shank mm |
|-------------------------|------|----------------------|----------|----------------|---------|---------------|------------------------------------|------------------------------------|
| 1178269 | 10 | 1-10 | 1/4"-Hex | • | plastic | 42,7 | 55 | 63,1 |





UNIVERSALLY APPLICABLE

Key-type drill chucks are the all-round talents among drill chucks. In stationary drills, hand-operated corded and cordless drills, the drill chucks perform in every way.



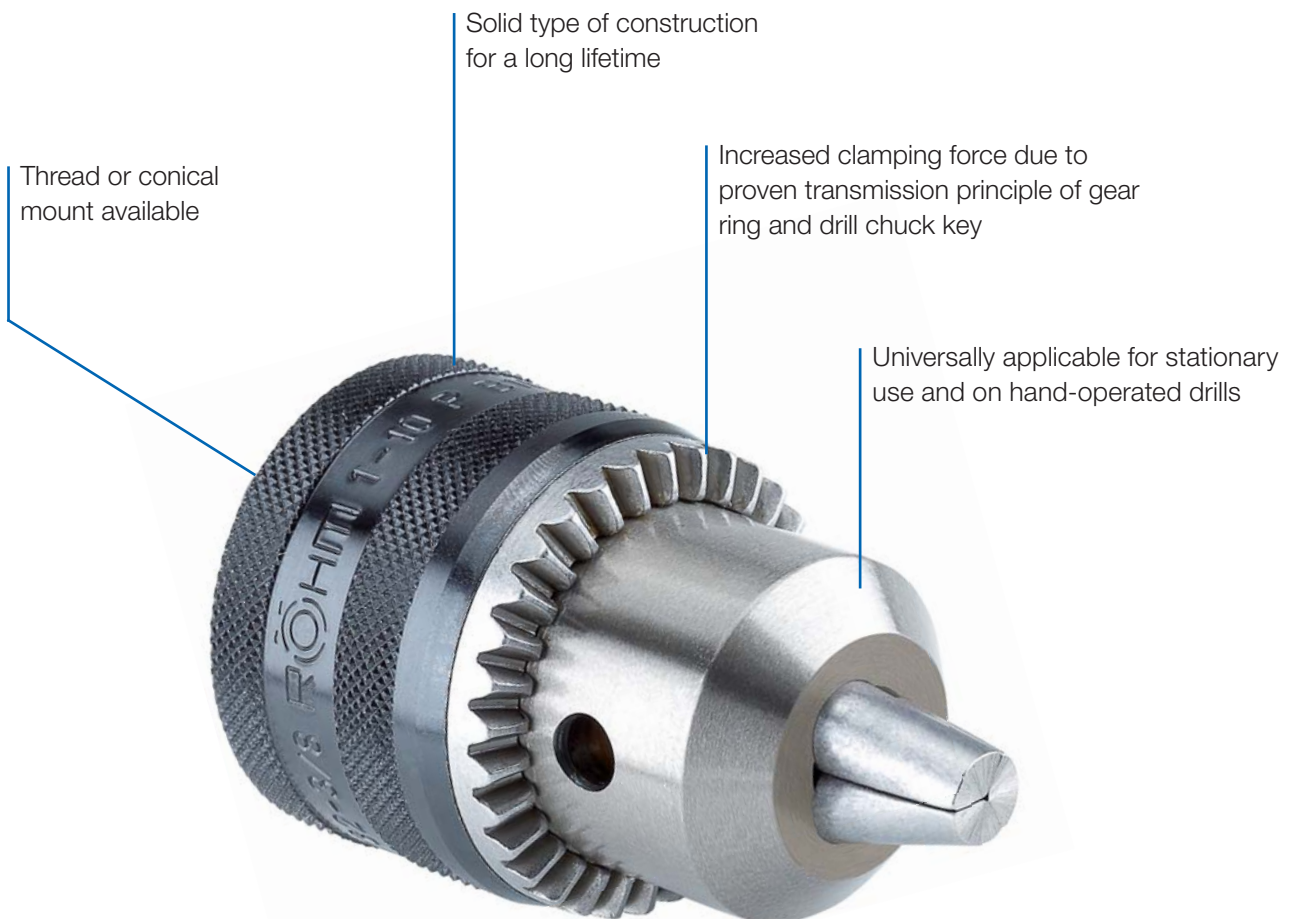
Video drill chuck

KEY-TYPE DRILL CHUCKS

Key-type drill chucks from RÖHM convince with their universal applicability. These drill chucks have proven themselves over decades on stationary drills, machine tools, as well as on hand-operated corded and cordless drills. Increased power transmission is achieved due to the solid construction and the use of drill chuck keys.

ADVANTAGES AT A GLANCE

- ⊕ Universally applicable for stationary use and on hand-operated drills
- ⊕ High concentricity of up to 0.15 mm due to solid type of construction
- ⊕ Increased clamping force due to proven transmission principle by means of drill chuck key





APPLICATION

PRIMA-I: Heavy industrial version for universal use on stationary drills as well as machine tools.

PRIMA-S / -M: Medium heavy version for universal use on stationary drills as well as hand-operated corded and cordless drills.

PRIMA-L: For universal use on do-it-yourself drills.

TYPE

Impact-resistant key-type drill chuck with key. Conical/threaded mount in acc. with DIN ISO 10887 (toothing in acc. with DIN 6349). For clockwise and counterclockwise rotation.

CUSTOMER BENEFITS

- ⊕ High concentricity of up to 0.15 mm
- ⊕ Increased clamping force due to proven transmission principle by means of drill chuck key

TECHNICAL FEATURES

- Hardened keyholes and clamping prism for type -I, -S, -M

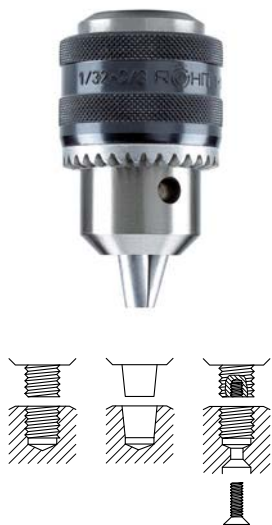


A01

PRIMA-I for stationary drills as well as machine tools

PRIMA-S / -M primarily for hand-operated percussion drilling machines

PRIMA-L for universal use on do-it-yourself drills



| Item no. | Size | Type | Clamping capacity mm | Mount | Concentricity deviation max. mm | External Ø mm | Length opened mm | Length closed mm | Key size | Through-hole |
|------------------------|------|------|----------------------|---------|---------------------------------|---------------|------------------|------------------|----------|--------------|
| 072811 | 6 | M | 0,5-6,5 | 3/8"-24 | 0,2 | 29,5 | 42,5 | 53 | S1 | |
| 245586 | 6 | M | 0,5-6,5 | B10 | 0,2 | 29,5 | 43 | 53 | S1 | |
| 072656 | 8 | I | 0,5-8 | J1 | 0,15 | 34,5 | 48 | 58,5 | S2A | |
| 245550 | 8 | M | 0,5-8 | B12 | 0,23 | 29,5 | 47,5 | 57,5 | S1 | |
| 245552 | 8 | M | 0,5-8 | 3/8"-24 | 0,28 | 29,5 | 42,5 | 53 | S1 | |
| 072687 | 10 | I | 1-10 | B16 | 0,2 | 42,8 | 63 | 77 | S2A | |
| 072693 | 10 | I | 1-10 | J2 | 0,2 | 42,8 | 61,5 | 75,5 | S2A | |
| 072653 | 10 | S | 0,8-10 | B12 | 0,23 | 34,5 | 50 | 60,5 | S2A | |
| 317255 | 10 | S | 0,8-10 | 3/8"-24 | 0,28 | 34,5 | 49,5 | 61 | S2A | • |
| 317256 | 10 | S | 0,8-10 | 1/2"-20 | 0,28 | 34,5 | 49,5 | 61 | S2A | • |
| 1322220 | 10 | L | 1-10 | 3/8"-24 | 0,35 | 33,35 | 49,5 | 61 | S2A | • |
| 1322221 | 10 | L | 1-10 | 1/2"-20 | 0,35 | 33,35 | 49,5 | 61 | S2A | • |
| 072818 | 13 | I | 1-13 | J6 | 0,2 | 50 | 67,5 | 86 | S3 | |
| 072819 | 13 | I | 1-13 | J33 | 0,2 | 50 | 67,5 | 86 | S3 | |
| 064527 | 13 | S | 1,5-13 | 3/8"-24 | 0,28 | 42,8 | 59 | 74 | S2A | |
| 317257 | 13 | S | 1,5-13 | 1/2"-20 | 0,28 | 42,4 | 59 | 74 | S2A | • |
| 072800 | 13 | S | 1,5-13 | B16 | 0,25 | 42,8 | 63 | 77 | S2A | |
| 072897 | 13 | S | 1,5-13 | B12 | 0,25 | 42,8 | 58 | 72 | S2A | |
| 1322222 | 13 | L | 1,5-13 | 3/8"-24 | 0,35 | 42,4 | 59 | 74 | S2A | • |
| 1322223 | 13 | L | 1,5-13 | 1/2"-20 | 0,35 | 42,4 | 59 | 74 | S2A | • |
| 072825 | 16 | I | 1-16 | B18 | 0,2 | 56,5 | 79 | 98 | S3 | |
| 072827 | 16 | I | 1-16 | J3 | 0,2 | 56,5 | 79 | 98 | S3 | |
| 1322236 | 16 | M | 3-16 | 5/8"-16 | 0,3 | 50 | 68,5 | 87,5 | S3 | |
| 072866 | 16 | M | 3-16 | 1/2"-20 | 0,3 | 50 | 68,5 | 87,5 | S3 | |
| 227152 | 16 | M | 3-16 | B16 | 0,25 | 50 | 67,5 | 86,5 | S3 | |
| 072831 | 20 | I | 5-20 | B22 | 0,25 | 65 | 92,5 | 113,5 | S4 | |
| 072833 | 20 | I | 5-20 | J3 | 0,25 | 65 | 82,5 | 103,5 | S4 | |
| 072834 ¹⁾ | 26 | I | 5-26 | B24 | 0,25 | 80 | 120 | 147 | S4 | |

1) With driver

Note: locking screw is not included in scope of delivery

PRIMA

A01

PRIMA-Mat (LT-MT) key-type drill chuck with excentric clamping force safety device



| Item no. | Size | Type | Clamping capacity mm | Mount | External Ø mm | Length opened mm | Length closed mm | Key size | Through-hole |
|----------------|------|------|----------------------|---------|---------------|------------------|------------------|----------|--------------|
| 1196033 | 16 | MT | 3-16 | M18x2,5 | 50 | 68,5 | 87,5 | S3T | • |
| 329718 | 16 | LT | 3-16 | 5/8"-16 | 50 | 68,5 | 87,5 | S3T | |

For percussion drills with a high impact frequency
 With through-hole for clockwise and counterclockwise rotating drills and percussion drills with locking screw M5 or M6

A01

PRIMA 6L, hexagon



| Item no. | Size | Type | Clamping capacity mm | Mount | External Ø mm | Length opened mm | Length closed mm | Key size |
|---------------|------|------|----------------------|-----------------|---------------|------------------|------------------|----------|
| 368292 | 6 | L | 0,5-6,5 | hexagon / E6,35 | 29,3 | 42,5 | 53 | S14 |

For clockwise and counterclockwise rotation
 Use only with switched-off impact function



A01

PRIMA-NIRO, key-type drill chuck made from stainless steel



| Item no. | Size | Type | Clamping capacity mm | Mount | Concentricity deviation max. mm | External Ø mm | Length opened mm | Length closed mm | Key size |
|---------------|------|------|----------------------|---------|---------------------------------|---------------|------------------|------------------|----------|
| 399782 | 7 | Niro | 0,5-7 | 3/8"-24 | 0,2 | 23,7 | 34 | 42,5 | S1 |

Special type for medical-, laboratory- and food-technology

PRIMA

A01

PRIMA with SDS plus mounting shank



| Item no. | Clamping capacity mm | Mount | External Ø mm | Length opened without SDS-shank mm | Length closed without SDS-shank mm | Key size |
|-------------------------|----------------------|--------------------|---------------|------------------------------------|------------------------------------|----------|
| 1288568 | 1,5-13 | 1/2"-20 / SDS plus | 42,9 | 59 | 74 | S2A |

Use only with deactivated hammer function



A01

HBF hammer drill chuck with SDS plus adapter



| Item no. | Size | Type | Clamping capacity mm | Mount | External Ø m | Length opened without SDS-shank mm | Length closed without SDS-shank mm | Key size |
|------------------------|------|------|----------------------|----------|--------------|------------------------------------|------------------------------------|----------|
| 600581 | 13 | HBF | 2,5-13 | SDS plus | 42,9 | 68 | 81,5 | S2A |

With carbide inserts in the clamping jaws

Axial play for transmitting the entire impact onto the drill with switched-on percussion function

For clockwise and counterclockwise rotation



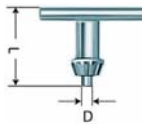
Drill chuck keys BFS

A01

 Keys with **DIN tooting 6349** for key-type drill chucks


| Item no. | Size | D mm | L mm | Weight approx. g |
|------------------------|------|------|------|------------------|
| 026411 | S1 | 4 | 30 | 25 |
| 205989 | S2A | 6 | 41 | 50 |
| 025835 | S3 | 8 | 50 | 100 |
| 025839 | S4 | 9 | 55 | 115 |

A01

 Keys with **DIN tooting 6349** for key-type drill chucks


| Item no. | Size | D mm | L mm | Weight approx. g |
|------------------------|-------|------|------|------------------|
| 309380 | S2A T | 6 | 42 | 50 |
| 309382 | S3 T | 8 | 51 | 90 |

A01

 Key with **Jacobs-tooting** for key-type drill chucks


| Item no. | Size | D mm | L mm | Weight approx. g |
|------------------------|------|------|------|------------------|
| 307319 | S14 | 6,1 | 30 | 50 |

Accessories

A01

SDS plus adapter for drill chucks with 1/2"-20 mount


| Item no. | Size | Mount | L mm | Weight approx. g |
|----------|---------|----------|------|------------------|
| 1322404 | 1/2"-20 | SDS plus | 62 | 50 |

The adapter serves as a connection to use a conventional drill chuck on hammers with SDS plus mounting. With deactivated hammer function the usage of cylindrical drill bits is now possible. The scope of delivery includes a safety screw with left-hand thread M6x23.

Assembly instruction:

Assemble the SDS adapter to the chuck with 50 Nm.
Fix the safety-screw with approx. 3-5 Nm.

Tapping chucks GSF



APPLICATION

Tapping chucks for handheld and stationary machines.

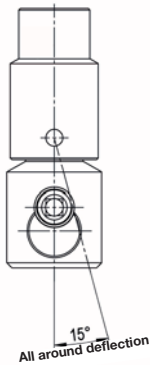
TECHNICAL FEATURES

- With conical mount for clockwise and counterclockwise rotation
- All around 15° deflection of the tap tool possible
- Simple handling
- Heavy-duty construction, all components made from steel
- All wear parts are hardened and ground

A03 GSF without locking pin



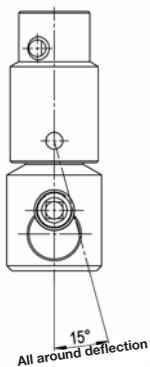
| Item no. | Size | Mount | Square clamping width mm | For taps | External Ø mm | Length mm | Key | Set of jaws |
|----------|------|-------|--------------------------|----------|---------------|-----------|--------|-------------|
| 319605 | 9 | B10 | 3-9 | M 3,5-14 | 28 | 73 | 026416 | 309341 |
| 303081 | 9 | B12 | 3-9 | M 3,5-14 | 28 | 73 | 026416 | 309341 |



A03 GSF with locking pin for an additional lock of the cone



| Item no. | Size | Mount | Square clamping width mm | For taps | External Ø mm | Length mm | Key | Set of jaws |
|----------|------|-------|--------------------------|----------|---------------|-----------|--------|-------------|
| 307158 | 9 | B12 | 3-9 | M 3,5-14 | 28 | 73 | 026416 | 309341 |



Taper shank arbors KD

A04

Taper shank arbors with drill chuck taper DIN 238 completely hardened and ground



| Item no. | Morse taper DIN 228 B | Drill chuck taper | L mm | A mm | C mm | E mm | G mm | H mm | Weight approx. g |
|----------------------|-----------------------|-------------------|-------|-------|--------|------|--------|------|------------------|
| 014897 | 1 | B10 | 86 | 62 | 12,065 | 14,5 | 10,095 | 9,4 | 55 |
| 014898 | 1 | B12 | 89 | 62 | 12,065 | 18,5 | 12,065 | 11,1 | 65 |
| 014899 | 1 | B16 | 97 | 62 | 12,065 | 24 | 15,733 | 14,5 | 90 |
| 014900 | 1 | B18 | 106 | 62 | 12,065 | 32 | 17,78 | 16,2 | 110 |
| 018755 ¹⁾ | 1 | B18 | 97 | 62 | 12,065 | 25 | 17,431 | 16,2 | 95 |
| 014904 | 2 | B10 | 103,5 | 75 | 17,78 | 14,5 | 10,095 | 9,4 | 130 |
| 014905 | 2 | B12 | 106,5 | 75 | 17,78 | 18,5 | 12,065 | 11,1 | 135 |
| 014906 | 2 | B16 | 110,5 | 75 | 17,78 | 24 | 15,733 | 14,5 | 160 |
| 014907 | 2 | B18 | 117,5 | 75 | 17,78 | 32 | 17,78 | 16,2 | 180 |
| 018756 ¹⁾ | 2 | B18 | 108,5 | 75 | 17,78 | 25 | 17,431 | 16,2 | 165 |
| 014908 | 2 | B22 | 128,5 | 75 | 17,78 | 40,5 | 21,793 | 19,8 | 245 |
| 014911 | 3 | B12 | 125 | 94 | 23,825 | 18,5 | 12,065 | 11,1 | 280 |
| 014912 | 3 | B16 | 134 | 94 | 23,825 | 24 | 15,733 | 14,5 | 310 |
| 014913 | 3 | B18 | 141 | 94 | 23,825 | 32 | 17,78 | 16,2 | 320 |
| 018757 ¹⁾ | 3 | B18 | 132 | 94 | 23,825 | 25 | 17,431 | 16,2 | 320 |
| 014914 | 3 | B22 | 147 | 94 | 23,825 | 40,5 | 21,793 | 19,8 | 390 |
| 014915 | 3 | B24 | 158 | 94 | 23,825 | 50,5 | 23,825 | 21,3 | 440 |
| 014916 | 4 | B16 | 159 | 117,5 | 31,267 | 24 | 15,733 | 14,5 | 625 |
| 014917 | 4 | B18 | 168 | 117,5 | 31,267 | 32 | 17,78 | 16,2 | 660 |
| 018758 ¹⁾ | 4 | B18 | 159 | 117,5 | 31,267 | 25 | 17,431 | 16,2 | 640 |
| 014918 | 4 | B22 | 176 | 117,5 | 31,267 | 40,5 | 21,793 | 19,8 | 715 |
| 014919 | 4 | B24 | 185 | 117,5 | 31,267 | 50,5 | 23,825 | 21,3 | 770 |
| 014920 | 5 | B16 | 196 | 149,5 | 44,399 | 24 | 15,733 | 14,5 | 1600 |
| 014921 | 5 | B18 | 204,5 | 149,5 | 44,399 | 32 | 17,78 | 16,2 | 1600 |
| 018759 ¹⁾ | 5 | B18 | 195,5 | 149,5 | 44,399 | 25 | 17,431 | 16,2 | 1560 |
| 014922 | 5 | B22 | 213,5 | 149,5 | 44,399 | 40,5 | 21,793 | 19,8 | 1650 |
| 014923 | 5 | B24 | 224,5 | 149,5 | 44,399 | 50,5 | 23,825 | 21,3 | 1700 |

¹⁾ For SUPRA and SPIRO with shortened mounting taper
Taper shank arbors with tapped shank (type 238) or cylindrical shank type (type 237) on request

A04

Taper shank arbors with Jacobs drill chuck taper completely hardened and ground



| Item no. | Morse taper DIN 228 B | Drill chuck taper | L mm | A mm | C mm | E mm | G mm | H mm | Weight approx. g |
|----------|-----------------------|-------------------|-------|-------|--------|------|--------|------|------------------|
| 014970 | 1 | J1 | 86,5 | 62 | 12,065 | 16,7 | 9,754 | 8,5 | 50 |
| 014971 | 1 | J2 | 92 | 62 | 12,065 | 22,2 | 14,199 | 12,4 | 70 |
| 014972 | 1 | J3 | 101 | 62 | 12,065 | 31 | 20,599 | 19 | 50 |
| 014974 | 1 | J6 | 95 | 62 | 12,065 | 25,4 | 17,17 | 15,9 | 50 |
| 014976 | 2 | J1 | 101 | 75 | 17,78 | 16,7 | 9,754 | 8,5 | 130 |
| 014977 | 2 | J2 | 106,5 | 75 | 17,78 | 22,2 | 14,199 | 12,4 | 160 |
| 014978 | 2 | J3 | 115,5 | 75 | 17,78 | 31 | 20,599 | 19 | 200 |
| 014980 | 2 | J33 | 109,5 | 75 | 17,78 | 25,4 | 15,85 | 14,2 | 160 |
| 014981 | 2 | J6 | 109,5 | 75 | 17,78 | 25,4 | 17,17 | 15,9 | 165 |
| 014983 | 3 | J2 | 126 | 94 | 23,825 | 22,2 | 14,199 | 12,4 | 310 |
| 014984 | 3 | J3 | 135 | 94 | 23,825 | 31 | 20,599 | 19 | 350 |
| 014987 | 3 | J33 | 129 | 94 | 23,825 | 25,4 | 15,85 | 14,2 | 310 |
| 014988 | 3 | J6 | 129 | 94 | 23,825 | 25,4 | 17,17 | 15,9 | 310 |
| 014991 | 4 | J3 | 161 | 117,5 | 31,267 | 31 | 20,599 | 19 | 475 |
| 014995 | 4 | J6 | 155 | 117,5 | 31,267 | 25,4 | 17,17 | 15,9 | 620 |

Reducing sleeves RH

A05

Precision design DIN 2185 completely hardened, ground internal and external



| Item no. | External taper MT | Internal taper MT | L mm | Weight approx. g |
|----------|-------------------|-------------------|------|------------------|
| 017017 | 1 | 0 | 80 | 30 |
| 017018 | 2 | 1 | 92 | 95 |
| 017019 | 3 | 1 | 99 | 250 |
| 017020 | 3 | 2 | 112 | 190 |
| 017021 | 4 | 1 | 124 | 550 |
| 017022 | 4 | 2 | 124 | 480 |
| 017023 | 4 | 3 | 140 | 360 |
| 017024 | 5 | 1 | 156 | 1700 |
| 017025 | 5 | 2 | 156 | 1520 |
| 017026 | 5 | 3 | 156 | 1360 |
| 017027 | 5 | 4 | 171 | 950 |
| 017028 | 6 | 2 | 218 | 4300 |
| 017029 | 6 | 3 | 218 | 4100 |
| 017030 | 6 | 4 | 218 | 3600 |
| 017031 | 6 | 5 | 218 | 2550 |

A05

Taper drift



| Item no. | for MT | Length mm | Weight g |
|----------|--------|-----------|----------|
| 017075 | 0 | 90 | 14 |
| 017076 | 1+2 | 140 | 70 |
| 017077 | 3 | 190 | 150 |
| 017078 | 4 | 225 | 310 |
| 017079 | 5+6 | 265 | 650 |

A05

Taper drift for one-hand-operation



| Item no. | for MT | Length mm | Weight g |
|------------------------|--------|-----------|----------|
| 317236 | 1-3 | 320 | 320 |
| 317258 | 4-6 | 380 | 520 |

Extensions sleeves VLH

A05

Precision design DIN 2187 completely hardened, ground internal and external



| Item no. | External taper MT | Internal taper MT | D mm | L1 mm | L2 mm | Weight approx. g |
|----------|-------------------|-------------------|------|-------|-------|------------------|
| 029122 | 1 | 1 | 20 | 145 | 83 | 190 |
| 029123 | 1 | 2 | 30 | 160 | 98 | 340 |
| 029124 | 2 | 1 | 20 | 160 | 85 | 250 |
| 029125 | 2 | 2 | 30 | 175 | 100 | 400 |
| 029126 | 2 | 3 | 36 | 196 | 121 | 840 |
| 029127 | 3 | 1 | 20 | 175 | 81 | 400 |
| 029128 | 3 | 2 | 30 | 194 | 100 | 550 |
| 029129 | 3 | 3 | 36 | 215 | 121 | 1000 |
| 029130 | 3 | 4 | 48 | 240 | 146 | 1500 |
| 029131 | 4 | 1 | 20 | 200 | 82,5 | 800 |
| 029132 | 4 | 2 | 30 | 215 | 97,5 | 850 |
| 029133 | 4 | 3 | 36 | 240 | 122,5 | 1300 |
| 029134 | 4 | 4 | 48 | 265 | 147,5 | 1900 |
| 029135 | 4 | 5 | 63 | 300 | 182,5 | 3310 |
| 029136 | 5 | 1 | 20 | 232 | 82,5 | 1800 |
| 029137 | 5 | 2 | 30 | 247 | 97,5 | 1900 |
| 029138 | 5 | 3 | 36 | 268 | 118,5 | 2150 |
| 029139 | 5 | 4 | 48 | 300 | 150,5 | 2750 |
| 029140 | 5 | 5 | 63 | 335 | 185,5 | 4200 |
| 029141 | 6 | 4 | 48 | 355 | 145 | 5420 |
| 029142 | 6 | 5 | 63 | 390 | 180 | 6750 |

Drill and reamer extensions BV

A05

Precision design completely hardened, ground internal and external



| Item no. | External taper MT | Internal taper MT | D mm | L1 mm | L2 mm | Weight approx. g |
|----------|-------------------|-------------------|------|-------|-------|------------------|
| 029143 | 1 | 1 | 20 | 200 | 138 | 250 |
| 029144 | 1 | 1 | 20 | 250 | 188 | 375 |
| 029145 | 1 | 1 | 20 | 300 | 238 | 500 |
| 029146 | 1 | 1 | 20 | 350 | 288 | 625 |
| 029147 | 1 | 1 | 20 | 400 | 338 | 750 |
| 029148 | 1 | 1 | 20 | 450 | 388 | 875 |
| 029149 | 1 | 1 | 20 | 500 | 438 | 1000 |
| 029150 | 2 | 2 | 25 | 200 | 125 | 430 |
| 029151 | 2 | 2 | 25 | 250 | 175 | 625 |
| 029152 | 2 | 2 | 25 | 300 | 225 | 820 |
| 029153 | 2 | 2 | 25 | 350 | 275 | 1015 |
| 029154 | 2 | 2 | 25 | 400 | 325 | 1200 |
| 029155 | 2 | 2 | 25 | 450 | 375 | 1400 |
| 029156 | 2 | 2 | 25 | 500 | 425 | 1600 |
| 029157 | 2 | 2 | 25 | 600 | 525 | 1800 |
| 029158 | 3 | 3 | 32 | 250 | 156 | 1000 |
| 029159 | 3 | 3 | 32 | 300 | 206 | 1300 |
| 029160 | 3 | 3 | 32 | 350 | 256 | 1550 |
| 029161 | 3 | 3 | 32 | 400 | 306 | 1850 |
| 029162 | 3 | 3 | 32 | 450 | 356 | 2100 |
| 029163 | 3 | 3 | 32 | 500 | 406 | 2400 |
| 029164 | 3 | 3 | 32 | 600 | 506 | 2700 |
| 029165 | 4 | 4 | 40 | 300 | 182,5 | 1650 |
| 029166 | 4 | 4 | 40 | 350 | 232,5 | 2150 |
| 029167 | 4 | 4 | 40 | 400 | 282,5 | 2650 |
| 029168 | 4 | 4 | 40 | 450 | 332,5 | 3100 |
| 029169 | 4 | 4 | 40 | 500 | 382,5 | 3600 |
| 029170 | 4 | 4 | 40 | 600 | 482,5 | 4200 |



Notes

The headquarters: our main plant in Sontheim/Brenz

The RÖHM main plant is located in Sontheim/Brenz. In this ultra-modern production facility comprising 41,000 m² optimum conditions have been achieved in order to solve the extensive range of discerning construction and production tasks making the company even better, faster and more efficient in the future.



Sontheim/Brenz

Sontheim | All national and international activities are planned and coordinated at the administrative headquarters in Sontheim. Thanks to the excellent infrastructure and transport routes, this location is ideal for a company relying on perfect product quality as well as maximum flexibility. Furthermore, the region around Sontheim offers another key basis for the success of our company: it is rich in quality awareness and motivated employees with the result that we are ideally prepared for the challenges of the future. The main plant uniquely unites mass production, serial production and customised individual production under a single roof.

Key locations for the company: Dillingen and St. Georgen

Such strong growth on the part of the RÖHM Group is also obviously associated with higher requirements on development and production capacities. The demands of today and tomorrow can be complied with the two facilities in Dillingen and St. Georgen.



Dillingen/Danube



St. Georgen

Plant Dillingen/Danube | This branch plant in Dillingen was put into operation by the RÖHM Group as early as 1953. Thanks to extremely positive development, the plant is subject to constant expansion and modernisation. For this reason, new modern production facilities were built in 1982 and 1991. In 2007 RÖHM built a new production hall for two portal turning and milling machines. This enables machining of workpieces up to 4 metres in length which will secure a leading market position for RÖHM in the future. More than 300 employees are primarily involved in engineering and manufacturing lathechucks, machine vices and special clamping equipment for turning and milling machinery as well as for machining centres.

Engineering and sales department St. Georgen | Apart from standard mandrels, tailor-made solutions for a wide variety of requirements are also manufactured here in this small but accomplished high-tech forge. RÖHM retains mechanical or power-operated mandrels, sliding jaw mandrels and hydraulic mandrels for its customers for tensioning workpieces in drill holes or interior contours.

Always close to our customers. With locations all around the world.



Customer orientation at RÖHM has less to do with marketing than with attitude. We consider customer proximity as an intensive dialogue with our partners as well as direct presence on key international markets.



Your contacts at RÖHM

Manufacturing and distribution bases

Germany:

RÖHM GmbH
Heinrich-Röhm-Straße 50
89567 Sontheim/Brenz
Tel 0049 73 25 – 16 0
Fax 0049 73 25 – 16 510
sales@roehm.biz
www.roehm.biz

RÖHM GmbH

Röhmstraße 6
89407 Dillingen
Tel 0049 90 71 – 5 08-0
Fax 0049 90 71 – 5 08-174
sales@roehm.biz
www.roehm.biz

RÖHM GmbH

Feldbergstr. 5
78112 St. Georgen
Tel 0049 – 77 24 – 94 68 12
Fax 0049 – 77 24 – 51 89
sales@roehm.biz
www.roehm.biz

China:

ROEHM China Co., Ltd.
Room 702, Building 24,
No. 518 Xinzhuan Road,
Songjiang District,
201612 Shanghai
Tel 0086 – 21 – 37 70 53 95
roehmchn@roehm.biz
www.roehm.biz/zh

France:

RÖHM S.A. R. L.
325 rue Paul Langevin
BP 90204
F-60744 Saint Maximin cedex
Tel 0033 – 344 64 10 00
Fax 0033 – 344 64 00 68
fr.commercial@roehm.biz
www.roehm.biz/fr

Great Britain:

ROHM (Great Britain) LTD.
27 Webb Ellis Business Park,
Woodside Park, Rugby,
CV21 2NP
Tel +44 1788 228 469
rohmgb@roehm.biz
www.roehm.biz/en

Hungary:

RÖHM Hungaria Kft.
Gyár u. 2. (BITEP Ipari Park)
H-2040 Budaörs
Tel 0036 – 209 – 324 597
roehmhungary@roehm.biz
www.roehm.biz

Italy:

RÖHM Italia SRL
Via Reiss Romoli 17/19
20019 Settimo Milanese (MI)
Palazzo Rothenberger
Tel 0039 – 02 – 92 10 35 31
rohmitalia@roehm.biz
it.roehm.biz
www.roehm.biz/it

Mexico:

RÖHM Products México S. de R.L.
Emilio Garza Meléndez #6606
Col. Campestre Mederos
Monterrey, N.L., México, C.P. 64970
Tel 0052 81 – 9627 – 0686
info@roh-products.com
www.roehm.biz/es

Poland:

ROEHM Polska Sp. z o.o.
ul. Sienna 73
00-833 Warszawa / Polska
Tel.: +48 605 665 663
roehmpolska@roehm.biz
www.roehm.biz

Spain:

RÖHM Iberica S.A.
C/Rejas, No. 9 Nave 11 D
28022 Madrid
Tel 0034 – 91 – 3 13 57 90
Fax 0034 – 91 – 3 13 57 93
rohiberica@roehm.biz
www.rohmiberica.com
www.roehm.biz/es

Switzerland:

RÖHM Spanntechnik AG
Feldstraße 39, 3360 Herzogenbuchsee
Tel 0041 – 629 56 30 20
Fax 0041 – 629 56 30 29
roehm.ch@roehm.biz
www.roehm.biz

USA:

Roehm Products of America Inc.
2500 Northlake Drive,
Suwanee GA 30024
Tel +1-770-963-8440
Fax +1-770-963-8407
sales@roh-products.com
www.rohm-products.com

Presence on all continents from A for Australia to V for Vietnam. You can receive the contact information of our worldwide representations easily through **www.roehm.biz**.

Sales Agents in Germany

Baden-Wuerttemberg:
Thomas Haas
Mobil 0152 / 22 88 71 20
thomas.haas@roehm.biz

Richard Sedlak
Mobil 0152 / 22 88 70 30
richard.sedlak@roehm.biz

Dirk Gaarz
Mobil 0152 / 22 88 71 16
dirk.gaarz@roehm.biz

**Baden-Wuerttemberg /
Rhineland-Palatinate / Saarland:**
Michael Schmitz
Mobil 0152 / 22 88 70 18
michael.schmitz@roehm.biz

Bavaria North:
Steffen Blatz
Mobil 0152 / 22 88 70 16
steffen.blatz@roehm.biz

Bavaria South-West:
Gerhard Häutle
Mobil 0152 / 22 88 70 15
gerhard.haetle@roehm.biz

Bavaria South-East:
Adolf Hausler
Mobil 0152 / 22 88 70 26
adolf.hausler@roehm.biz

North Rhine-Westphalia
Ralf Schnichels
Mobil 0152 / 22 88 70 25
ralf.schnichels@roehm.biz

Schleswig-Holstein, Hamburg, Bremen:
Friedhelm Schneider
Mobil 0152 / 22 88 70 17
friedhelm.schneider@roehm.biz

**North Rhine-Westphalia /
Lower Saxony**
Thorsten Nolte
Mobil 0152 / 22 88 70 31
thorsten.nolte@roehm.biz

**Berlin, Mecklenburg-Western Pomerania,
Brandenburg, Saxony, Saxony-Anhalt,
Thuringia:**
Matthias Barth
Mobil 0152 / 22 88 71 46
matthias.barth@roehm.biz

Hesse:
Klaus Dieter Hofmann
Mobil 0152 / 22 88 70 29
k.d.hofmann@roehm.biz

Agents worldwide

Algeria:
RÖHM S.A.R.L.
325 rue Paul Langevin
BP 90204
F-60744 Saint Maximin cedex
Frankreich
Tel 0033 – 344 64 10 00
Fax 0033 – 344 64 00 68
fr.commercial@roehm.biz
www.roehm.biz/fr

Australia:
SECUREFIX
101 BRADMAN STREET
4110 ACACIA RIDGE QLD
Tel 61730633230
sales@securefix.com.au

Austria:
Martin Kremser
Untergreith 158
8443 Gleinstätten
Tel 00 43 / 66 49 23 77 10
martin.kremser@roehm.biz

Schachermayer GmbH
Schachermayer Str. 2
Postfach 3000, 4021 Linz
Tel 00 43 / 732 / 65 99-0
Fax 00 43 / 732 / 65 99 14 44
maschinenmetall@schachermayer.at

Lackner u. Urnitsch GmbH
Bahnhofgürtel 37, 8020 Graz
Tel 00 43 / 316 / 71 14 80-0
Fax 00 43 / 316 / 71 14 80 39
lackner@urnitsch.at

Metzler GmbH u. Co. KG
Oberer Paspelsweg 6-8, 6830 Rankweil
Tel. 00 43 / 55 22 / 7 79 63 - 0
Fax 00 43 / 55 22 / 7 79 63 - 6
office@metzler.at

Belgium:
RÖHM S.A.R.L.
325 rue Paul Langevin
BP 90204
F-60744 Saint Maximin cedex
Frankreich
Tel 0033 – 344 64 10 00
Fax 0033 – 344 64 00 68
fr.commercial@roehm.biz
www.roehm.biz/fr

BELTRACY
Bergensesteenweg 189
1600 Sint-Pieters-Leeuw
BELGIEN
Tel 00 32 / 25 43 68 90
Fax 00 32 / 25 38 59 10
info@beltracy.be
www.beltracy.be

Brazil:
O.V.D. Importadora e Distribuidora Ltda.
Rua João Betttega, 2876 – Portão –
CEP: 81.070-900
Curitiba, PR, Brazil
76.635.689/0001-92
(+41) 2101 2500

Canada:
Roehm Products of America Inc.
2500 Northlake Drive,
Suwanee GA 30024
Tel +1-770-963-8440
Fax +1-770-963-8407
sales@rohm-products.com
www.rohm-products.com

Croatia:
PFEIFER - TTI D.O.O.
Spinciceva 2 a
40000 Cakovec, Kroatien
Tel 00 385-40391-123
Fax 00 385-40391-123
pfeifer-tti@pfeifer-tti.hr
www.pfeifer-tti.hr

Czech Republic:
RÖHM GmbH
Heinrich-Röhm-Straße 50
89567 Sontheim/Brenz
Tel 00421 914 122 932
peter.trnka@roehm.biz
www.roehm.biz

Denmark:
O. Ryttergaard Værktøj A/S
Falkevej 13
3400 Hillerød
Tel 00 45 36 70 65 55
info@ryttergaard.com
www.ryttergaard.com

Finland:
Teräskonttori Oy,
Muuntotie 3
1510 Vantaa
Tel 00 358 / 9615471
Fax 00 358 / 9674954
info@teraskonttori.fi
www.teraskonttori.fi

Oy Interfil Ltd.
Vähäheikkiläntie 56B, 2nd floor
20810 Turku
Tel 00 358 / 2 01 47 45 00
Fax 00 358 / 2 01 47 45 01
info@p-aro.com
www.interfil.com

Greece:
K.S.PAPADOPOULOS & CO.
ETHNIKIS ANTISTASEOS 7A,
55134 Thessaloniki
Tel 00 30 / 23 10-48 87 58
Fax 00 30 / 23 10-48 87 53
stefanos@agent.com.gr

Iceland:
Fossberg Ltd.
Dugguvogi 6, 104 Reykjavik
Tel. 00 354 / 57 57 600
fossberg@fossberg.is
www.fossberg.is

India:
R.H POWER UTILITIES PVT.LTD
KIADB 2ND PHASE
572106 TUMKUR KARNATAKA
Tel 0091 816 2970276
rhp.tmk@rajamane.com

OMKAR SUPRANATIONAL PVT LTD
SAHAKARNAGAR
411009 PUNE MAHARASHTRA
Tel 0091/2024223054
info@omkarsupra.com

Ireland:
ROHM (Great Britain) LTD.
27 Webb Ellis Business Park,
Woodside Park, Rugby,
CV21 2NP
Tel +44 1788 228 469
rohmg@roehm.biz
www.roehm.biz/en

Israel:
ETMOS ETM TOOLING LTD.
34 HAHOFER ST., 5885807 Holon
Tel. 00 972 - 3 / 55 81 933
Fax 00 972 - 3 / 55 81 934
etmos@etmos.co.il
www.etmos.co.il

Japan:
Takeda Trade Co., Ltd.
NAKANOSHIMA DAI-BUILDING 603, 3-3-23,
NAKANOSHIMA, KITA-KU
530-6106 OSAKA
Tel. 00 81 06-6441-1503
mail@takeda-trade.co.jp
www.takeda-trade.co.jp

Kazakhstan:
«Spanntech» LLP
Astana, st. Valikhanov 19, room 69
010000, Republic of Kazakhstan,
support@spanntech.kz

Letvia:
SIA „INSTRO”
LACPLESA STR. 87
1011 Riga
Tel 371/67288546
instrumentu.nodala@instro.lv

Luxembourg:
RÖHM S.A.R.L.
325 rue Paul Langevin
BP 90204
F-60744 Saint Maximin cedex
Frankreich
Tel 0033 – 344 64 10 00
Fax 0033 – 344 64 00 68
fr.commercial@roehm.biz
www.roehm.biz/fr

Macedonia:
DEMEX DOO
GROBLJANSKA NO.3, OSTRUZNICA
11251 Belgrade
Tel 00 381 / 1 1 26 52 999
Fax 00 381 / 1 1 26 52 562
office@demaxbg.com

Malaysia:
KS PRECISION TOOLS (M) SDN BHD
TAMAN SERDANG RAYA, SECTION 9
43300 SERI KAMBANGAN, SELANGO D.E.
Tel 60389417168
sales@ks-precision.com
www.ks-precision.com

Morocco:
RÖHM S.A.R.L.
325 rue Paul Langevin
BP 90204
F-60744 Saint Maximin cedex
Frankreich
Tel 0033 – 344 64 10 00
Fax 0033 – 344 64 00 68
fr.commercial@roehm.biz
www.roehm.biz/fr

Netherlands:
RÖHM S.A.R.L.
325 rue Paul Langevin
BP 90204
F-60744 Saint Maximin cedex
Frankreich
Tel 0033 – 344 64 10 00
Fax 0033 – 344 64 00 68
fr.commercial@roehm.biz
www.roehm.biz/fr

Boorwerk B.V.,
VELUWEZOOM 50
1327 AH, ALMERE
Tel 00 31 36 521 8080
Fax 00 31 36 521 4200
verkoop@boorwerk.nl
www.boorwerk.nl



Agents worldwide

Norway:

Ing. Yngve Ege A/S
Ryenstubben 5
0679 Oslo 11
Tel 00 47 / 23 24 10 00
Fax 00 47 / 23 24 1001
ege@ege.no
www.ege.no

KASPO MASKIN AS

Postboks 6282 Sluppen
7489 Trondheim
Tel 00 47 / 73 96 96 00
Fax 00 47 / 73 96 96 01
kaspo@kaspo.no

Portugal:

RÖHM Iberica S.A.
C/Rejas, No. 9 Nave 11 D
28022 Madrid
Tel 0034 – 91 – 3 13 57 90
Fax 0034 – 91 – 3 13 57 93
roh Iberica@roehm.biz
www.rohmiberica.com
www.roehm.biz/es

Paulo Fernandes
Tel 00351 926853881

Romania:

KSN Technik Srl
Str. Tabacarilor 15B/103
400139 CLUJ-NAPOCA, Rumänien
Tel 00 40 / 264 / 449 - 533
Fax 00 40 / 264 / 449 - 533
office@ksntechnik.ro
www.ksntechnik.ro

Singapore:

GP System Singapur PTE LTD
No. 51, Bukit Batok Crescent,
#04-04/05 Unity Centre,
Singapore 658077
Tel. 00 65 / 68 61 - 26 63
Fax 00 65 / 68 61 - 35 00
enquiry@gpsystem.com
www.gpsystem.com

Slovakia:

RÖHM GmbH
Heinrich-Röhm-Straße 50
89567 Sontheim/Brenz
Tel 00421 914 122 932
peter.trnka@roehm.biz
www.roehm.biz

Slovenia:

B T S COMPANY TRGOVINA
Bratislavka 5
1000 Ljubljana
Tel 00 38 / 6 1 584 14 40
info@bts-company.si
www.bts-company.com

South Korea:

CHEONG-DO MACHINE TOOLS CO., LTD.
GURO-GO(GURO-DONG)
8212 Seoul
cdmt@chol.com

KMC CO.

DONGTANCHEOMDANSANEOP 1-RO
18469 HWASEONG-SI,GYEONGGI-DO
chelee@naver.com

Sweden:

Techpoint Systemteknik AB
Box 717
19127 Sollentuna
Tel 00 46 / 86 23 13 30
Fax 00 46 / 86 23 13 45
info@techpoint.se
www.techpoint.se

CHUCKTEKNIK NORDEN AB

Finjaryd 2519
28291 Tyninge
Tel 00 46 / 40 12 33 44
info@chuckteknik.com
www.chuckteknik.com

Thailand:

KRASSTEC CO., LTD.
SUAN LUANG
10250 BANGKOK
Tel. 006602 732-1144
krasscom@krasstec.com

Tunisia:

RÖHM S. A. R. L.
325 rue Paul Langevin
BP 90204
F-60744 Saint Maximin cedex
Frankreich
Tel 0033 – 344 64 10 00
Fax 0033 – 344 64 00 68
fr.commercial@roehm.biz
www.roehm.biz/fr

Turkey:

Sintek Mühendislik Makina San.
Tarabya Mahallesi
Yumak Sok. No: 3/A1
34457 SARIYER – ISTANBUL
Tel. 00 90 / 212 / 2 99 61 84
Fax 00 90 / 212 / 2 99 56 75
info@sintekmuhendislik.com

Vietnam:

CAP DO INDUSTRIAL EQUIPMENT CO.LTD.
TAN BINH DIST.
70000 HO-CHI-MINH-CITY
Tel 84838104533
Fax 84838108427
Office01@capdo.com.vn
www.capdo.com.vn/

General Terms of Sale and Delivery

§ 1 Offer, conclusion of contract and contractual contents

1. Our Terms of Sale shall apply exclusively; we do not recognise contradictory terms and conditions or terms and conditions which deviate from our Terms of Sale unless we have explicitly approved their validity in writing. Our Terms of Sale shall also apply if we carry out the delivery to the buyer without reservation in the knowledge of contradictory terms and conditions of the buyer or terms and conditions which deviate from our Terms of Sale.

2. Our Terms of Sale shall only apply towards an entrepreneur within the meaning of Section 14 BGB [German Civil Code].

3. Our General Service Terms shall apply with precedence over these Terms of Sale in the respective valid version in cases, which comprise the service offer of RÖHM GmbH.

4. Our offers are always to be understood as invitatio ad offerendum and are therefore without obligation insofar as they have not explicitly been described as binding. The contract shall only be concluded with our written confirmation and in line with its contents and – if a written confirmation is missing – by the service/delivery. If a delivery/service is carried out immediately without a confirmation then the invoice shall at the same time be deemed as an order confirmation.

5. Costs for the production of drawings for special constructions are to be borne by the orderer insofar as the offer does not lead to an order for reasons, for which we are not responsible.

6. All details concerning weights, dimensions, services and technical data, which are contained in our printed material, catalogues, price lists or in other contractual documents, merely serve for purposes of information and are only binding insofar as they are explicitly described as binding.

7. We reserve the right to make construction and form changes to the object of contract insofar as no changes are made hereto, which are deemed unreasonable for the orderer.

8. The documentation consists of the compilation drawing, the BOM with marking of the parts subject to wear and tear and spare parts as well as assembly instructions upon request. Respectively in German and/or, upon request, in English. This free documentation will be supplied in a digital form. The PDF format shall apply to drawings, BOMs and texts. Any scope of documentation beyond this is liable to costs respectively requires a special agreement. The documents may not be reproduced in full or in part, not made accessible to third parties or used for any other purpose apart from that for which they were handed over to the customer without our prior written authorization.

9. The corresponding measurement methods for tests, with which certain temperatures, times and other measured or control values should apply, must be stipulated before start of delivery and recognised by both parties. If no stipulation is made the measurement methods usually applied by RÖHM shall apply, we shall provide the details thereof upon request.

10. Samples will only be supplied against payment and owing to a separately placed order.

11. Assurances, collateral agreements and amendments to the contract require a written form in order to be valid. This requirement cannot be waived orally.

12. Placed orders are irrevocable unless the supplier has approved the revocation in writing.

13. In case of export business the delivery is carried out at the conditions agreed on the order confirmation, the international regulations for the interpretation of customary contractual forms shall apply in addition (incoterms 2010 of the International Chamber of Commerce, respective valid status).

14. Our General Business Terms shall apply to the RÖHM online shop with the following supplementations:

a) The offer on the part of the customer is submitted binding as soon as the customer orders the products in the shopping basket by using the function „binding order“.

b) A purchase in the online shop is only possible if the customer actively agrees to our General Business Terms.

c) Mistakes and errors with regard to the goods availability, prices and other details and data excepted. Diagrams in the online shop are merely for the purpose of illustration respectively as visual aids; the description is binding.

d) We will inform the customer if the product ordered by the customer is temporarily or permanently not available.

15. Our „product information“, technical information leaflets as well as other product-specific publications shall apply in addition to the General Business Terms. These are always to be compiled with in their current version.

16. Upon conclusion of a contract between RöhM and the buyer both parties undertake to observe and comply with the applicable laws and regulations as well as the current RÖHM Code of Conduct. The Code of Conduct can be found at www.roehm.biz/Code of Conduct for Business Partners

§ 2 Prices

1. In the absence of special written agreements the prices in the Federal Republic of Germany shall apply „carriage paid“ recipient plus the statutory value added tax. With export business the object of delivery shall be deemed as sold „ex works“ if nothing is determined in the contract concerning the type of sale. A processing fee of EUR 15.00 will be charged for individual orders with a goods value of less than EUR 150.00 net, a processing fee of EUR 30.00 for orders with a goods value of less than EUR 50.00 net respectively plus the applicable rate of value added tax. This shall apply to deliveries within the domestic country and overseas. At the customer's request the goods can be delivered to an alternative shipping address against a logistics fee in the amount of EUR 10.00.

2. We would like to point out that we will only carry out the shipment at the customer's request. This shall have no effect on the regulations according to Section 5.

3. We shall charge the prices valid upon conclusion of the contract, which are based on the cost factors which are valid at this time. Should these cost factors (in particular material, wages, energy, etc.) change between conclusion of the contract and the agreed delivery time then we are entitled to make a corresponding change to the prices. In case of export business the supplier is entitled to terminate the contract extraordinarily with regard to the part of the order that has not yet been completed or to adjust the prices for this accordingly in the event of a substantial devaluation in the currency, in which the order is concluded.

4. In case of conclusion ex works the goods will be conveyed at the costs and risk of the orderer. With all other consignments the provisions stipulated in the incoterms 2010, respective valid status, will apply with regard to insurance and the assumption of risks.

5. We will inform the buyer of our production quantity for parts/products, which are produced especially according to the buyer's requests. The buyer undertakes to purchase

the quantities confirmed to him.

6. Excess and shortfalls in deliveries of up to 5 %, with special tools up to 10 %, at least however 2 pieces, are permitted and do not substantiate any quality defects. The respective delivery will be charged.

§ 3 Terms of payment

1. In the absence of a special agreement the payment is to be made without any deduction free paying agent within 10 days after the invoice date – also with partial deliveries.

2. In case of default of payment interest will be charged in the amount of the credit costs charged by banks, at least however interest in the amount of 9 % above the respective base lending rate of the ECB.

3. In case of export business the payments are to be made in line with the agreed terms of payment.

4. Costs of the payment transactions, in particular bank charges for overseas transfers to us, shall principally be for the expense of the customer.

§ 4 Delivery time

1. The start of the delivery deadline stated by us presumes the clarification of all technical questions. Delivery dates stated by us are – insofar as not explicitly agreed or described as binding – non-binding and shall merely represent an expected delivery date.

2. The compliance with our delivery obligation further presumes the timely and proper fulfillment of the buyer's obligations, in particular the compliance with the agreed terms of payment. The right is reserved to the plea of the unfulfilled contract.

This right shall also consist of obligations from previous deliveries which have not been satisfied in full.

3. The delivery deadline shall begin with the sending of the order confirmation, however not before the provision of the documents, permit, releases, etc., which are to be procured by the orderer, as well as not before the receipt of the agreed down payment.

4. If a binding delivery date has been agreed then the supplier also has to deliver within the deadline. The delivery deadline shall have been adhered to if the object of delivery has left the plant by the time it expires or notification has been given that the object is ready for delivery, the right is reserved to the timely and correct self-delivery. If the orderer changes his order with regard to parts of the delivery then the delivery deadline shall only begin to apply new again with the confirmation of the change.

5. Force majeure, war, civil commotion, strike, lock-out or measures of authorities, no matter for what reason, which oppose a delivery, as well as deficiencies of raw materials, of transport means as well as theft – also at the sub-suppliers – shall release the supplier from the obligation to deliver within the agreed deadline. The orderer is to be notified immediately of the occurrence of the event and of the expected implications.

6. Deliveries before expiry of the delivery time and in reasonable parts are permitted.

7. The adherence to the delivery time presumes the fulfillment of the orderer's contractual obligations.

8. The regulations of Subclause 10 shall apply in the event of the delay in delivery or impossibility.

§ 5 Passing of risk and acceptance

1. The risk shall pass to the orderer by no later than with the despatch of the delivered parts also if partial deliveries are made or we have taken over other services e.g. the shipping costs or delivery to the location and installation.

2. At the orderer's request the shipment shall be insured by us against theft, damages caused by breakage, transport, fire and water and other insurable risks at his costs.

3. If the shipment is delayed as a result of circumstances, for which the orderer is responsible, then the risk shall pass to the orderer from the day upon which the goods are ready for shipment; however we are obliged to procure the insurances, which he requests, at the request and costs of the orderer.

4. Delivered objects are, even if they feature insignificant features, to be accepted by the orderer irrespective of the rights from Section 8.

§ 6 Delay in acceptance, order on call

1. If the orderer does not accept the object of contract within the deadline we are entitled to set him a reasonable final deadline, to dispose otherwise over the object after its expiry and to supply the orderer with a reasonably extended deadline. Our rights to cancel the contract under the pre-requisites of Section 326 BGB and to request damages owing to the non-fulfilment shall remain unaffected hereby. If we request damages owing to non-fulfilment we can request 40 % of the agreed price plus value added tax as compensation unless the orderer proves less damages. We reserve the right to assert higher actual damages.

2. Orders, which are confirmed by us on call, must – insofar as nothing special has been agreed – be accepted by no later than within one year from the order date. The same shall apply in case of date reservations or sustainable „on call position“. Subclause 6.1 shall apply accordingly in case the goods are not called within the stated deadline.

§ 7 Reservation of title

1. The objects of the deliveries (reserved goods) shall remain our property until the fulfilment of all claims to which we are entitled against the buyer from the business relationship. Insofar as the value of all security rights, to which we are entitled against the buyer, exceed the amount of all secured claims by more than 10 %, we will release a corresponding part of the security rights at the buyer's request.

2. During the existence of the reservation of title the buyer is prohibited from a pledge or assignment as collateral and the resale only permitted for resellers in the customary course of business and only under the condition that the reseller receives a payment from his customer or stipulates the reservation that the property shall only pass to the customer when he has satisfied his payment obligations.

3. In case of attachments, seizures or other disposals or interventions of third parties the buyer has to inform us immediately so that we can file an action according to Section 771 ZPO [German Code of Civil Procedure]. Insofar as the third party is not in the position to reimburse us the court and out-of-court costs of an action according to Section 771 ZPO, the buyer will be liable for the loss incurred to us.

4. The buyer undertakes to treat the object of purchase with due care and attention; he is in particular obliged to sufficiently insure these at the value as new at his own costs against damages caused by fire, water and theft. Insofar as maintenance and inspection work is necessary the buyer must carry this out in time at his own costs.

General Terms of Sale and Delivery

5. In case of breaches of duty by the buyer, in particular with default of payment we are entitled to cancellation and to take the goods back; the buyer is obliged to hand the goods over. The taking back of goods respectively the assertion of the reservation of title does not require any cancellation of the supplier; these acts or an attachment of the reserved goods by us shall not represent a cancellation of the contract unless we had explicitly declared this.

6. If the buyer has resold the object of purchase in the ordinary course of business then he shall hereby now already assign all claims to us in the amount of the final invoice amount (including value added tax) of our claim, to which he is entitled from the resale against his buyers or third parties, irrespective of whether the object of purchase has been resold without or after processing. The buyer shall also remain authorized to collect this claim after the assignment. Our authorization to collect the claim ourselves shall remain unaffected hereby. However, we undertake not to collect the claim as long as the buyer satisfies his payment obligations from the collected proceedings, is not in default of payment and in particular no application has been filed for the opening of insolvency proceedings or payments have been suspended. If this is however the case we can request that the buyer announces the assigned claims and their debtors to us, provides us all details which are necessary for the collection, hands over the associated documents and informs the debtors (third parties) of the assignment.

7. The processing or conversion of the object of purchase by the buyer is always carried out on our behalf. If the object of purchase is processed with other objects, which do not belong to us, then we shall acquire the co-ownership to the new object in the ratio of the value of the object of purchase (end invoice amount, including value added tax) to the other processed objects at the time of the processing. Incidentally, the same shall apply to the object produced by processing as to the object of purchase delivered under reservation.

8. If the object of purchase is inseparably mixed with other objects that do not belong to us then we shall acquire the co-ownership to the new object in the ratio of the value of the object of purchase (end invoice amount, including value added tax) to the other mixed objects at the time of the mixing. If the mixing is carried out to the extent that the object of the buyer is to be seen as the main object then it shall be deemed as agreed that the buyer assigns us the pro rata co-ownership. The buyer shall store the thus produced sole ownership or co-ownership on our behalf.

§ 8 Quality defects

We shall be liable for quality defects as follows:

1. All those parts or services are to be subsequently improved free of charge at our choice, delivered or provided new, which – irrespective of the operating duration – feature a quality defect if this cause existed already at the time when the risk was passed.
2. Claims for quality defects shall become statute-barred in 12 months. The deadline will begin with the passing of the risk (Subclause 6).
3. The buyer has to report quality defects to us immediately in writing.
4. In case of reports of defects payments of the buyer may be withheld in a scope, which is in reasonable relation to the occurred quality defects. If the defect is unjustifiably reported we are entitled to request reimbursement of the expenses incurred to us by the buyer.
5. We are first of all always to be granted the opportunity for the subsequent fulfillment within a reasonable period of time.
6. If the subsequent fulfillment fails the buyer can – irrespective of possible claims for damages – cancel the contract or reduce the remuneration. The buyer can only request reimbursement for fruitless expenses if we are responsible for the defect owing to wilful intent or gross negligence.
7. Defects shall not exist with an only insignificant deviation from the agreed conditions, with an only insignificant impairment to the usability, with natural wear and tear or damages, which are caused after the risk has passed as a result of faulty or negligent treatment, excessive use, unsuitable operating equipment or owing to special external influences, which are not presumed according to the contract, as well as with software faults that cannot be reproduced. If improper changes or repair work is carried out by the buyer or by third parties then this and the thus incurred consequences shall not substantiate any defects either. The same shall apply if our stipulations concerning the handling and other instructions are not complied with and a proper maintenance is not carried out.
8. Claims of the buyer owing to the expenses, which are necessary for the purpose of the subsequent fulfillment, in particular transport, route, labour and material costs, are excluded if the expenses increase, because the object of the delivery has subsequently been taken to another location than the buyer's branch unless the transportation corresponds with its use as intended.
9. Statutory claims for recourse of the buyer against us shall only exist to the extent that the buyer has not reached any agreements with its buyer that go beyond the statutory claims for defects.
10. Subclause 9 shall apply to claims for damages. Further or other than claims regulated in this Subclause or in Subclause 9 owing to a quality defect are excluded.

§ 9 Industrial property rights and copyrights, defects of title

Insofar as not otherwise agreed, we are obliged to merely provide the delivery in the country of the place of delivery free of industrial property rights and copyrights of third parties (hereinafter property rights). Insofar as a third party asserts justified claims owing to the infringement of property rights due to deliveries provided by us and used as per contract against the buyer, we shall be liable towards the buyer as follows within the deadline determined in Subclause 8.2:

1. We will, at our choice and at our costs, either obtain a right of use for the deliveries concerned, change these so that the property right is not infringed, or exchange these. If this is not possible for us at reasonable conditions, the buyer shall be entitled to the statutory rights to cancellation or reduction. The buyer can only request reimbursement for fruitless expenses if we are responsible for wilful intent or gross negligence. Our obligation to pay compensation is oriented to Subclause 10.
2. The afore-mentioned obligations shall only exist if the buyer informs us immediately in writing about the claims asserted by third parties, does not recognise an infringement and we reserve the right to all defence measures and settlement negotiations. If the buyer discontinues the use of the delivery for reasons to minimise damages or for other important reasons he undertakes to inform the third party that the discontinuation of the use is not associated with a recognition of an infringement of a property right.
3. Claims of the buyer are excluded insofar as he is responsible for the infringement of property right.

4. Claims of the buyer are further excluded insofar as the infringement of property right is

caused by special stipulations of the buyer, due to an application that is not foreseeable for us or by the fact that the delivery is changed by the buyer or is used together with products not delivered by us.

5. In the event of infringements of property rights the provisions of Subclauses 8.4, 8.5 and 8.9 shall apply accordingly to the claims of the buyer regulated in Subclause 13.

6. Further or other claims of the buyer against us or our vicarious agents owing to a defect of title than those regulated in this Subclause 9 are excluded.

§ 10 Joint and several liability

1. Claims of the buyer for damages – irrespective of the legal nature of the asserted claim – are excluded.
2. Excluded from this are:
 - a) Damages owing to the breach of essential contractual obligations. Deemed as essential are such contractual obligations, the fulfillment of which makes the proper execution of the contract possible at all and on the compliance with which the contractual partner may as a rule rely and depend on.
 - b) Damages from the injury to life, the body or the health if we are responsible for the breach of obligation.
 - c) For other damages, which are due to a wilful or grossly negligent breach of duty, whereby our breach of duty is deemed equivalent to that of our legal representatives or vicarious agents.
 - d) Liability according to the ProdHaftG (German Product Liability Act)
3. A change to the burden of proof for the disadvantage of the buyer is not associated with the afore-mentioned regulations.
4. Insofar as the liability for damages is excluded or limited against us, this shall also apply with regard to the personal liability for damages of our employees, our commercial agents and our vicarious agents.

§ 11 Obligations of the buyer to provide assistance

1. Assistance services of the buyer, which are explicitly or tacitly agreed within the framework of the contract, shall be carried out without a special remuneration unless explicitly otherwise agreed.
2. The buyer is obliged to inform us about all facts in time, from which it can be derived that goods and products in stock in our company, which we have made available with regard to the production capacities reported to us, cannot be used or not used in full. If residual stocks remain the buyer shall take over the stocks and the, if applicable incurred destruction costs in the event of a premature change to its material scheduling. This shall also apply to products, with which we had to order minimum quantities on the part of our suppliers if we have informed the customer hereof in advance.
3. The buyer guarantees that the products supplied by him for processing are suitable for this purpose. We are not obliged to examine the products supplied by the buyer for the condition and the suitability for the further processing. Within the framework of ongoing business relationships as well as if an object for processing has initially been inspected, tested and released, the buyer undertakes to inform us of each product change without request in writing. In the case of regular processing of objects the buyer is further obliged to examine the object that is to be processed by us for deviations and changes for each change to the production conditions and in his company, in particular with the exchange of tools, machines or with the introduction of new production processes and to notify us of such changes and modifications in writing.
4. We do not have to examine the instructions of our buyers, the material selection or other regulations, which are made by our buyer, for their accuracy.
5. Therefore, the buyer has to examine all instructions, which he issues as well as the quality of the materials stipulated or made available to us for the compliance with the statutory and technical regulations.
6. If the buyer is in default with regard to his obligation for provision or to provide assistance after a written warning we are entitled to the statutory rights.
7. Goods may only be returned with the supplier's express permission. Any returned goods must be delivered free in their original packaging and must be accompanied by the return receipt provided by the supplier. The goods must be in their original state, i.e. undamaged and fully functional. Returned goods will no longer be accepted when six months have lapsed from the date of delivery. Returns of specially designed or custom-made items, as well as used goods will not be accepted. We will charge a handling fee of 20 % - 40 % of the value of the goods, however, at least EUR 100 per item plus statutory VAT. Following presentation of appropriate evidence, the supplier reserves the right to charge a higher amount to the purchaser in individual cases; the purchaser is free to prove that the damage was lower.

§ 12 Place of performance and place of jurisdiction/miscellaneous

1. The place of performance and place of payment is the registered seat of our company in Sontheim/Brenz.
2. The law of the Federal Republic of Germany is to be exclusively applied to the contractual relationship. The application of the Convention of the United Nations of 11 April 1980 concerning Contracts for the International Sale of Goods (CISG „Law governing the sale of goods of Vienna“) is excluded.
3. With all disputes ensuing from the contractual relationship, if the orderer is a merchant, a legal entity under public law or a special fund under public law, the action is to be filed at the court that has jurisdiction for our headquarters. We are also entitled to file action at the headquarters of the orderer.
4. We store your data according to Section23 Federal Data Protection Act.

RÖHM GmbH
89565 Sontheim (Germany)

Status: November 2021

General Service Terms (ASB) of RÖHM GmbH, Sontheim

1. Validity

1.1 These ASB form the basis for all business transactions with our customers, which refer to the repair or maintenance of the products manufactured or delivered by us insofar as these customers concern entrepreneurs within the meaning of Section 14 BGB [German Civil Code].

1.2 Contradictory, supplementary contractual terms and conditions of the customer or those which deviate from these ASB will not be recognised.

1.3 Within the framework of a regular business relationship these ASB will also be valid after the effective inclusion for the first time if we do not explicitly refer hereto in follow-up transactions.

1.4 Insofar as the ASB do not include any regulations, the General Terms of Sale and Delivery of RÖHM GmbH shall apply.

2. Offer and conclusion of the contract

2.1 Our offers are – insofar as not explicitly marked as binding – without obligation and merely to be understood as invitatio ad offerendum. The right is reserved to an interim sale.

2.2 Contracts with us will only be concluded with our written acceptance declaration or – if such is not carried out – by our delivery and service. Changes and supplementations to the contracts concluded with us require a written form.

2.3 If the object of maintenance or repair was not delivered by us then the customer has to point out existing industrial property rights with regard to the object if we are not responsible for any fault the customer shall indemnify us from possible claims of third parties from industrial property rights.

2.4 Insofar as we are responsible for negligence Par. 2.3 shall apply accordingly.

3. Contractual parts

The offer and the product list respectively available to us and the customer are a part of the contract.

4. Technical documents and plans

4.1 All rights to our offer documents as well as documents, which have been handed over, shall remain reserved.

4.2 The customer shall recognise our rights and will not reproduce the documents in full or in part, not make these accessible to third parties or use these for any other purpose than that for which they were handed over to him without our prior written authorization.

5. Scope of services, maintenance, condition of device, repair

5.1 Decisive for the scope of our delivery and service is our binding offer or – if such is not available – our written declaration of acceptance. Both individual services can be agreed, which are principally to be remunerated according to Subclause 12.1, as well as the service packages described under Subclause 5.2, which are to be remunerated according to 12.2 respectively 12.3.

5.2 The following activities are a part of our service obligation with the processing of service packages:

5.2.1 Commissioning of service

- skilled execution of the necessary commissioning of the clamping device and control at the place of installation in line with the regulations of the manufacturer.
- assembly work over the course of the commissioning together with the machine manufacturer
- first instructions and operator training
- we will invoice separate requests for the training with regard to the maintenance and use as separate work.

5.2.2 Inspection service

Skilled execution of the necessary inspection of the clamping device and control at the place of installation in line with the regulations of the manufacturer. Insofar as additional maintenance or repairs become necessary at the customer's request or owing to special loads, these are to be remunerated separately by the customer.

5.2.3 Maintenance service

Skilled execution of the necessary maintenance of the clamping device and control at the place of installation in line with the regulations of the manufacturer. Insofar as additional repairs become necessary at the customer's request or owing to special loads, these are to be remunerated separately by the customer.

5.3 The service obligation shall begin with the purchase or conclusion of a service package. With the purchase or conclusion of a service package after the expiry of the warranty period the service obligation of RÖHM shall only refer to such products, which are capable of use and free of defects at the time of the conclusion or purchase of the service package. This is to be ensured by an inspection of the products; if defects are determined these are to be remedied before the start of validity of the service package by a necessary repair liable to costs; this repair is not part of the service package.

5.4 Our service obligation shall not include carrying out work on products and accessories, which was(were) not delivered by us.

5.5 Our service obligation shall lapse if the product was not subjected to the function and safety tests according to the details in the operating instructions or third parties have carried out work on the products concerned without our prior written consent unless this work has no disadvantageous influence on the provision of our service. The same shall apply if the products have been damaged due to causes for which we are not responsible, for example by water, fire, stroke of lightning or other implications of force majeure as well as with improper treatment by the customer or third parties.

5.6 Depending on the use and type of the product an overhaul may be necessary after longer use. This is the case if the costs of a repair exceed the current value of the product. Overhaul within this meaning is also the necessary new acquisition of a product in the absence of available spare parts. Overhauls are not part of the service obligation within the service packages. If we are of the opinion that a products that is to be maintained by us under a service package requires an overhaul, we will inform the customer hereof by stating the current value estimated by us and submit an offer for the overhaul to the customer with a remuneration calculated according to 12.1.

6. Repair/service that cannot be carried out

6.1 The services provided concerning the details of a cost estimate as well as the further incurred and to be proven work (fault search time equal to working hours) will be invoiced to the customer if the repair cannot be carried out due to reasons for which RÖHM GmbH is not responsible, in particular because the fault for which a complaint will be made did not occur during the inspection, spare parts cannot be procured, the customer culpably missed the agreed date or the contract was terminated during the execution.

6.2 The object of repair only needs to be restored to the original condition again at the explicit request of the customer against reimbursement of the costs unless the undertaken work was not necessary.

6.3 In case of a repair that cannot be carried out RÖHM GmbH shall not be liable subject to sentence 2 for damages to the object of repair, the breach of contractual secondary obligations and for damages, which were not suffered to the object of repair itself, no matter to which legal grounds the customer refers. RÖHM, on the other hand, will be liable in case of wilful intent, with gross negligence of the owner / the executive bodies or executives as well as with the culpable breach of essential contractual duties. Such contractual obligations are deemed essential, the fulfilment of which makes the proper execution of the contract possible at all and the compliance with which the contractual partner may as a rule rely and depend upon.

7. Duration of the service

7.1 The details with regard to the duration of repairs and services are based upon estimates and merely serve as information and a first estimate by the customer. They are therefore not binding if they have not been explicitly marked as binding.

7.2 In case of subsequently placed additional and extension orders or with necessary additional repair work the agreed repair deadline shall be extended accordingly.

8. Obligations to provide assistance of the customer

8.1 The customer has to draw our attention to the statutory, official and company safety and other regulations applicable at the place of destination of our delivery and service, which refer to the delivery, the assembly and the operation.

8.2 The customer will inform us with or immediately after his order about possible special features of the place of installation, which may have an implication on the proper function of the products, in particular about the structural condition and the concrete operating environment.

8.3 The customer shall ensure – also during the warranty period according to Subclause 17.5 – a regular and skilled maintenance of the products delivered by us insofar as this was not taken over by us as per contract.

8.4 The customer shall dispose of the goods delivered by us at his own responsibility and at his own costs according to the respective valid regulations. We are not obliged to create a possibility for the return unless this would have been stipulated by law.

8.5 The customer has to support the repair / maintenance personnel with the execution of the repair at his own costs.

8.6 The customer has to take the special measures, which are necessary for the protection of persons and objects at the workplace. He also has to inform the repair managers about existing special safety regulations insofar as these are of significance for the repair personnel. He shall inform us in case of breaches of the repair personnel of such safety regulations. In case of serious breaches he can refuse the infringing party access to the repair location by mutual agreement with the repair manager.

8.7 The customer shall bear a supervisory and assistance obligation for the compliance with the statutory working time limits. Breaches are to be reported to RÖHM GmbH.

8.8 The customer is obliged to provide the reasonable and necessary technical assistance at his costs, in particular to:

- a) Provision of the necessary, suitable assistants in the number that is necessary for the repair and for the necessary time; the assistants have to follow the instructions of the repair manager. We do not assume any liability for the assistants. If a defect or damages were caused by the assistants owing to instructions of the repair manager, then the regulations of Sections 17 and 18 shall apply accordingly.
- b) Undertaking of all construction, bedding and scaffolding work including the procurement of the necessary building materials.
- c) Provision of the necessary devices and heavy tools as well as the necessary commodities and required materials.
- d) Provision of heating, lighting, operating power, water, including the necessary connections.
- e) Provision of necessary, dry rooms, which can be locked for the storage of the tool for the repair personnel.
- f) Protection of the repair place and materials against harmful influences of all kinds, cleaning of the repair place.
- g) Provision of suitable, theft-proof recreation rooms and work rooms (with heating, lighting, washing possibility, sanitary facilities) and First Aid for the repair personnel.
- h) Provision of the materials and undertaking of all other acts, which are necessary for the adjustment of the object of repair and for carrying out a testing that is envisaged as per contract.

8.9 The technical assistance of the orderer must guarantee that the service can be started immediately after the arrival of our personnel and carried out without delay until the acceptance by the orderer. Insofar as special plans or instructions of RÖHM are necessary, RÖHM shall make these available to the orderer in time.

9. Obligations of the customer to provide assistance in case of maintenance

9.1 The products are to be used as intended and according to their protection type and in line with the operating instructions together with their annexes.

9.2 In case of an agreement of one of the service packages described in Subclause 5, the customer will place the products that are to be installed, maintained or repaired into a faultless condition, capable of use before conclusion of the contract at his own costs if the products are not already in such a condition. If the customer does not properly satisfy this obligation either after a warning on our part and within the deadline we are entitled to accordingly cancel the contract or the delivery. Further claims for damages on our part shall remain unaffected.

9.3 If the customer uses the maintenance service interferences are to be reported to us immediately in writing, in detail and in an understandable manner.

9.4 Our employees and vicarious agents are to be granted the unimpeded and safe access to the products. In case of delays for which the customer is responsible he is obliged to remunerate the waiting times of our employees and vicarious agents resulting from the delay separately.

9.5 The customer shall refrain from commission third parties with the services during the term of a service agreement, which we have to provide according to the agreement or from performing this work himself.

9.6 The customer has to draw our attention to the statutory, official and company safety regulations and other regulations applicable at the place of destination of our delivery and service, which refer to the delivery, the assembly and the operation.

10. Inspection and acceptance

10.1 Services will be provided by us according to the guidelines of our quality control and deliveries inspected accordingly. If the customer requests further inspections then these are to be agreed in writing and paid by the customer. This shall relate e.g. to special tests for the acceptance.



General Service Terms (ASB) of RÖHM GmbH, Sontheim

10.2 The customer undertakes to accept our services under this contract immediately after the report that they have been completed. Upon request he has to declare their acceptance in writing towards our employees or vicarious agents insofar as there is no essential defect. This is carried out by the signing of the service report.

10.3 Our services shall be deemed as accepted free of defects with the re-commencement of the operational use of the maintained or repaired product, in particular for production purposes, if no defects have been previously reported by the customer.

11. Cost details and cost estimate

11.1 The creation of the cost estimates is liable to costs if the execution of the repair is not approved.

11.2 The costs for a cost estimate amount to the flat rates fixed in the current price list.

11.3 If the repair cannot be carried out at these costs or if our employees or vicarious agents consider the execution of additional work to be necessary during the repair the customer's consent is to be obtained if the stated costs are exceeded by more than 15%.

12. Remuneration, maturity and terms of payment

12.1 Insofar as not otherwise agreed and there is no warranty case our services are to be remunerated according to the actual work requirement pursuant to our respectively valid general price lists. The time required by our employees will be settled in time sections of 15 min. In addition to the time required for the work that is to be performed in these cases the customer will pay the travelling and waiting times, overtime surcharges, expenses, travelling and accommodation costs as well as the costs of spare parts, materials subject to wear and tear and consumables and replacement part sets according to our prices lists or in line with the offer.

12.2 Insofar as a flat rate remuneration was agreed for a service package, our work and travelling costs and expenses are thus covered, not however the costs for waiting times, overtime at the customer's request, spare parts, materials subject to wear and tear and consumables, replacement parts sets as well as other accessories. Our work for if applicable necessary repairs is to be remunerated separately by the customer according to Subclause 12.1.

12.3 The prices for our services can be derived from the respective price list valid upon conclusion of the contract and are deemed ex works plus value added tax. The calculation basis for the remuneration is the one-shift operation, i.e. a use of the products up to 160 hours in a calendar month. A surcharge to the list price of 50% is charged for the two-shift operation, a surcharge of 100% for the three-shift operation. The above two rates shall only apply to the service packages described under Subclause 5.. If the customer requests assignments outside of our normal working hours (Mo - Fr, 6:30 am - 6:30 pm, a max. of 7 h per day) surcharges will be calculated according to the respective valid price list.

12.4 If our personnel and material costs are increased then we are entitled to adjust the contractual prices after the expiry of the first year up to a maximum of 5% above the price of the previous year. Price changes will be announced to the customer at least one month before the new contractual prices come into force. The customer is entitled to terminate the contract effective as of the time at which the new price would become valid for him for the first time.

13. Transport and insurance with the repair in the plant of RÖHM GmbH

13.1 The object for repair will be delivered by the customer to us at his costs together with the repair and service form and after execution of the repair collected by the customer again or return to him at the customer's costs.

13.2 The customer shall bear the risk of transport.

13.3 At the customer's request a shipment carried out by us will be insured at the customer's costs against the insurable transport risks, e.g. theft, breakage and fire.

13.4 No insurance cover exists during the repair time in our plant. The customer has to ensure the maintenance of the existing insurance cover for the object of repair e.g. with regard to fire, pipe water, storm and machine breakage insurance. Insurance cover can only be procured for these risks at the explicit wish and costs of the customer.

13.5 In case of delay of the customer with the take-over we can charge a storage fee for the storage in our plant. The object of repair can also be stored otherwise at our discretion. The costs and risk of the storage during the delay shall be for the expense of the customer.

14. Repair deadline

14.1. The details concerning the repair deadlines are based on estimates and merely serve for the purpose of information and first orientation. They are therefore not binding unless this is explicitly agreed.

14.2. The agreement of a binding repair deadline, which must be described as binding, can only be requested by the customer if the scope of the work has been precisely determined.

14.3. The binding repair deadline will have been adhered to if by the time that it expires the object of repair is ready for take-over by the customer, in the event of a contractually envisaged testing ready for its execution.

14.4. In case of subsequently placed additional and extension orders or with necessary additional repair work the agreed repair deadline will be extended accordingly.

14.5. If the repair is delayed due to measures within the scope of industrial disputes, in particular strike and lock-out as well as the occurrence of circumstances, which were not caused by us, a reasonable extension to the repair deadline will occur insofar as such impediments have as proven a substantial influence on the completion of the repair; this shall also apply if such circumstances occur after we are in default.

15. Ban on offsetting and assignment; subcontractors

15.1 The customer is only entitled to offsetting in the event of undisputed claims or claims which have been declared final and binding. This shall not apply if the customer asserts claims in the reciprocal relationship, in particular claims for defects.

15.2 The assignment of rights of the customer from contractual relationships with us presumes our prior consent in order to be valid. This shall not apply insofar as Section 354 a HGB [German Commercial Code] applies.

15.3 We are entitled to use third parties in order to fulfil our contractual obligations.

16. Reservation of title

16.1 The goods delivered by us shall remain our property until the payment of all of our claims against the customer, no matter for what legal grounds, also future ones. In case of current account the afore-mentioned property shall be deemed as security for our balance claim.

16.2 The customer may only sell within the framework of his customary business transactions and neither pledge, nor assign the goods as collateral. The customer hereby

assigns us for security of our payment claims against him, in the amount of the value of our delivery and service, all claims with all secondary rights, which he acquires against his buyer owing to such a sale.

16.3 As long as the property has not yet been assigned, the customer has to inform us immediately in writing if the delivered object is attached or is exposed to other interventions of third parties. Insofar as the third party is not in the position to reimburse us the court and out-of-court costs of an action according to Section 771 ZPO [German Code of Civil Procedure] the customer shall be liable for the loss incurred to us.

16.4. We undertake to release the securities to which we are entitled at the customer's request insofar as their value exceeds the claims which are to be secured by more than 20 %."

17. Warranty

17.1 Insofar as the creation of a work has been agreed and thus the law governing contracts for work and services applies the following shall apply: If our services are faulty then we are first of all entitled and obliged to subsequent satisfaction according to Section 634 No. 1 BGB. If the subsequent satisfaction finally fails the customer can according to Section 634 No. 3 cancel the contract or reduce the remuneration and according to Section 634 No. 4 BGB request damages. Claims of the customer for reimbursement of expenses according to Section 634 No. 2 BGB (self-execution) are excluded. Subclause 18 shall apply to claims for damages.

17.2 Insofar as we provide planning services without executing these and thus the law governing service contracts applies (e.g. in the event of a breach of our duties under Subclauses 5.2.1, 5.2.2 and 5.2.3) the following applies: If our services are faulty then we are first of all entitled and obliged to subsequent improvement. If the subsequent improvement finally fails the customer is entitled to damages according to Subclause 18.

17.3 Excluded from the warranty are damages as a result of natural wear and tear, fault maintenance – insofar as we have not carried out this maintenance as per contract, failure to comply with operating equipment regulations, excessive use, unsuitable operating equipment, chemical or electrolytic influences, faulty construction and assembly work of third parties as well as other causes, for which we are not responsible.

17.4 The warranty shall lapse if the customer or third party makes changes or repairs to our services /products without our prior written consent unless the defect is not a result thereof.

17.5 Claims of the customer owing to defects of quality and title shall become statute-barred with the expiry of 12 months after the acceptance of the work or the knowledge of defects with the provision of planning services.

18. Liability

18.1 We shall be liable to an unlimited extent in case of wilful intent and gross negligence as well as with the injury to life, the body and the health as well as with the culpable breach of essential contractual obligations. Deemed as essential are such contractual obligations, the fulfilment of which makes the proper execution of the contract possible at all and the compliance with which the contractual partner may as a rule rely and depend on.

18.3 Incidentally our liability is excluded.

18.4 A liability according to the Product Liability Act remains unaffected.

18.5 The personal liability of our legal representatives and vicarious agents is limited as our own liability according to the afore-mentioned provisions.

19. Term of the contract; termination

19.1 Service agreements according to Subclause 5. shall come into force when signed by both parties and shall initially apply until the end of the calendar year, that follows the year in which the contract was concluded. The contractual relationship will subsequently be extended respectively by one further year unless it is terminated by one of the parties with a period of notice of 3 months to the end of the second or a following year. Contractual relationships can be terminated on the whole or only with regard to individual products.

19.2 The right to the extraordinary termination for an important reason remains unaffected.

20. Place of jurisdiction; applicable law

20.1 With all disputes ensuing from the contractual relationship if the orderer is a merchant, a legal entity under public law or a special fund under public law, the action is to be filed at the court that has jurisdiction for our headquarters. We are also entitled to file an action at the headquarters of the orderer.

20.2 The legal relationship is subject to the law of the Federal Republic of Germany. German international private law and the Viennese Convention of the United Nations concerning Contracts for the International Sale of Goods (CISG) will not apply.

RÖHM GmbH

89565 Sontheim (Germany)

Status: October 2015

RÖHM GmbH

Heinrich-Röhm-Straße 50

89567 Sontheim/Brenz

Germany

Tel +49 7325 16 0

Fax +49 7325 16 510

info@roehm.biz

www.roehm.biz



Id.-Nr. 1178261 / 0623 AU