

BACKLIGHT

ABSOLUTE LEVEL

MAGNETIC BOTTOM

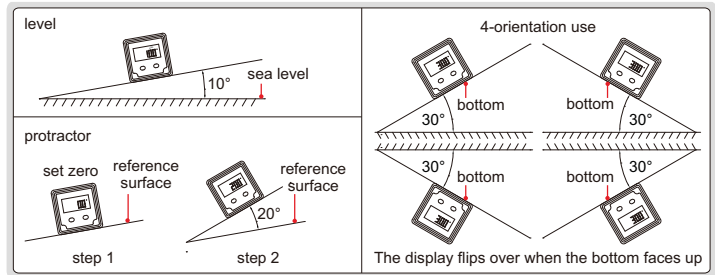
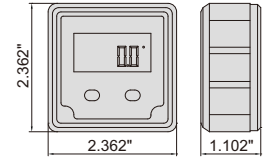
DISPLAY FLIPS OVER WHEN THE BOTTOM FACES UP

## ELECTRONIC LEVEL AND PROTRACTOR

- Aluminum frame
- Magnetic bottom
- The display flips over when the bottom faces up
- The backlight is on automatically when in use, and automatically off in 15 minutes after use
- The sea level is permanently set inside the chip, zero setting is not needed when battery is replaced
- Buttons: ON/OFF, ZERO, absolute and incremental measurement
- One AAA battery
- Automatic power off in 5 minutes



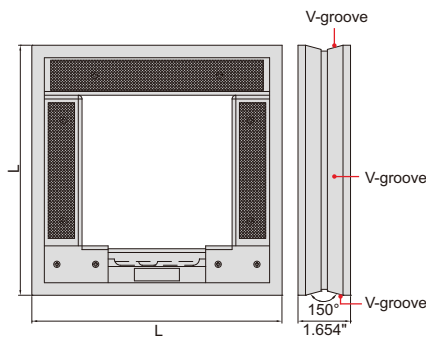
2170-1



Part No.	Range	Resolution	Accuracy
2170-1	4x90°	0.1° (=0.021in/ft)	at 0° and 90°: ±0.1°; others: ±0.2°

NO NEED TO SET ZERO BEFORE USE

- No need to set zero before use
- Three V-grooves for shafts (shafts diameter .76~4.56")
- With longitudinal vial



## FRAME LEVELS

INSIZE PLUS  
MADE IN GERMANY

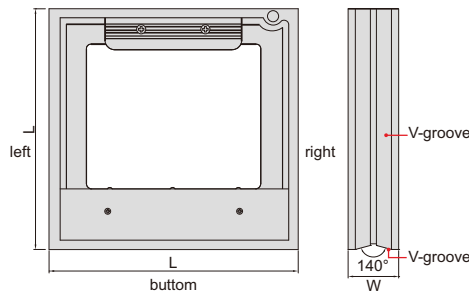


4906-200

Part No.		Size (LxL)
Sensitivity .00024in/ft (=0.001°)	Sensitivity .0012in/ft (=0.0057°)	
4906-150	4906-B150	6x6"
4906-200	4906-B200	8x8"
4906-300	4906-B300	12x12"

ATTENTION: BASIC MODEL

- V-groove on bottom and left for shafts (shafts diameter .59~2.76")
- With transverse vial
- Supplied with adjusting wrench



## FRAME LEVELS



4902-8

Part No.		Size (LxL)	W
Sensitivity .00024in/ft (=0.001°)	Sensitivity .0006in/ft (=0.0029°)		
4902-6	4902-C6	6x6"	1.575"
4902-8	4902-C8	8x8"	1.575"
4902-12	4902-C12	12x12"	1.772"